

insta[®]
for a smoother life



COMPLETE RANGE OF

UPVC

DOOR & WINDOW HARDWARE





INTRODUCTION

In 2008, Mr. Satish Gupta and Mr. Yogesh Bahal have taken initiative and formed the company “Glorious Products (India) Pvt. Ltd” With their experience of over two decades in the field of architectural building hardware, both have decided to provide the best quality products suitable for Indian market under the brand name “INSTA”. Value, design, longevity and environment consciousness is the essence of the quality embodied by our company. Our management and its core team comprises of dedicated professionals always striving to deliver the quality & service. Our professional team goes an extra mile to meet the customer's- planners, architects, builders and project consultants requirements. We offer the strength, scope and commitment to our valued customers to deliver what we promise.....



Warranty Certificate

THIS IS TO CERTIFY THAT WE INSTA WARRANTY OUR PRODUCT
AGAINST MANUFACTURING DEFECT FOR A MINIMUM PERIOD OF 10 YEARS,
OUR WARRANTY WILL BE VALID IF THE PRODUCT ARE NOT
MISUSED, IMPROPERLY ASSEMBLED OR DAMAGE
IN ANY WAY.

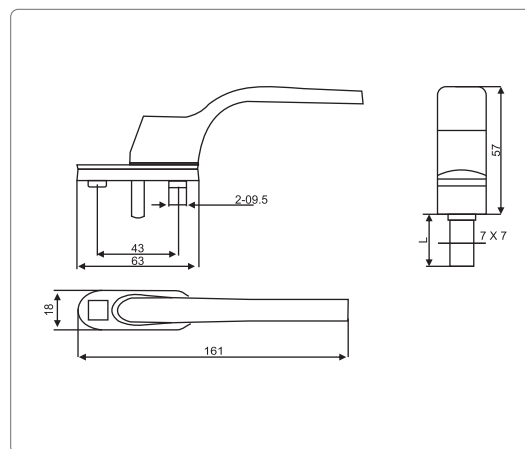



Satish Gupta
Director

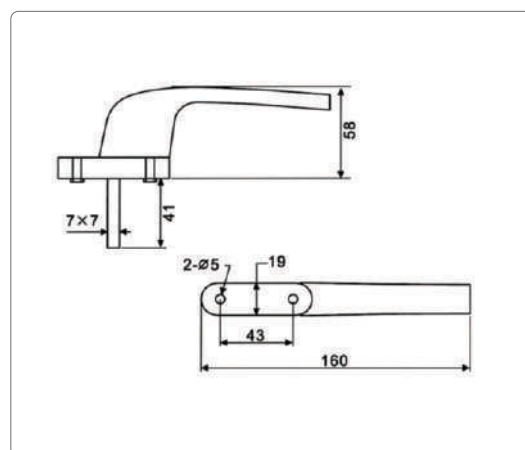
GLORIOUS PRODUCTS (INDIA) PVT. LTD.
ARCHITECTURAL BUILDING HARDWARE

Casement Series

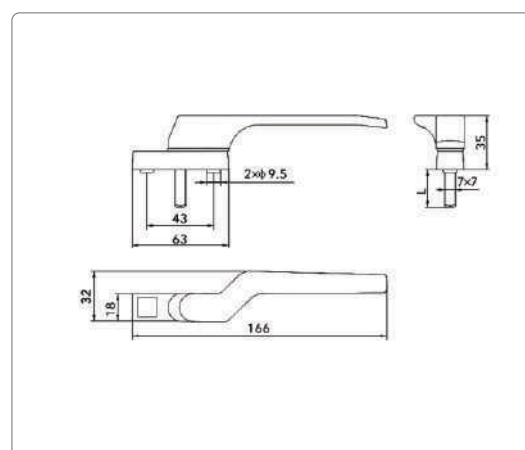
Handles



IUCWH40 : Casement Window Handle

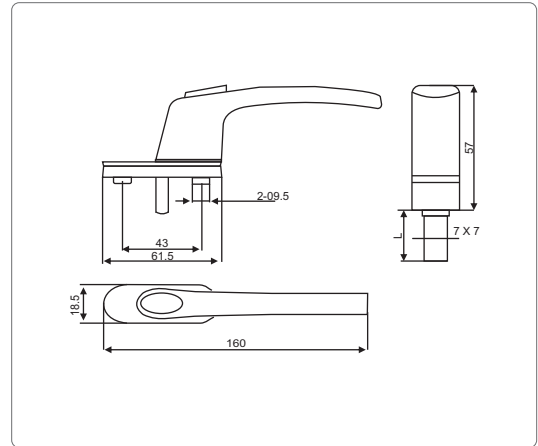


IUCWHWOK40 : Casement Window Handle

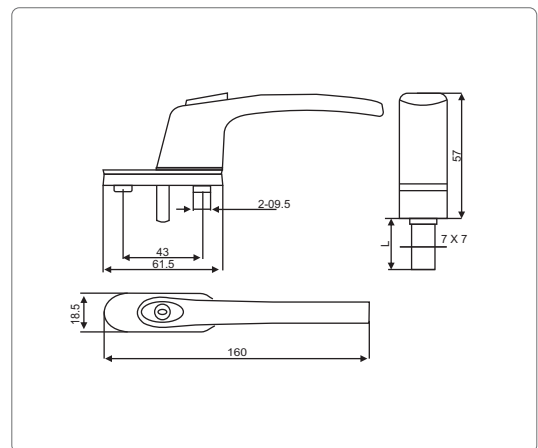


IUCWLHN18L/18R : Casement Short Neck, Left/Right

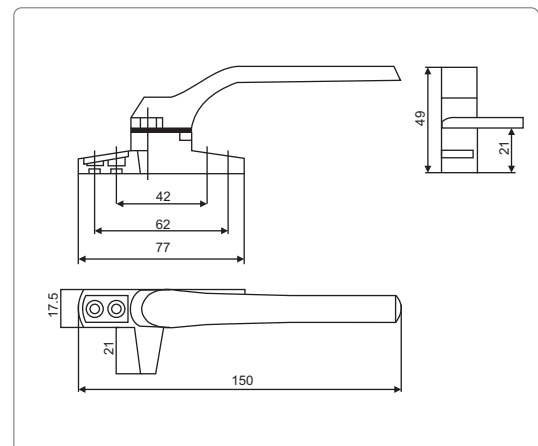
Handles



IUCWHPB18 : Casement Window Handle With Push Button



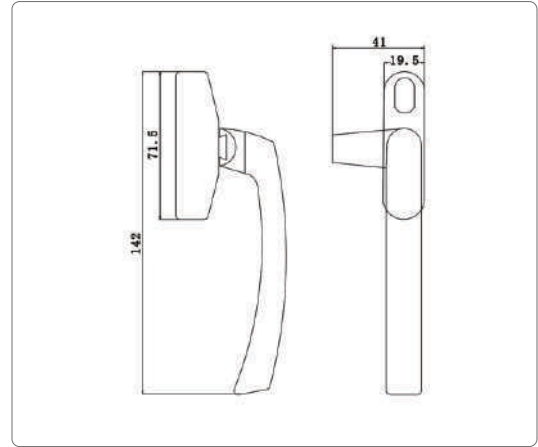
IUCWHKC18 : Casement Window Handle Push Button With Key



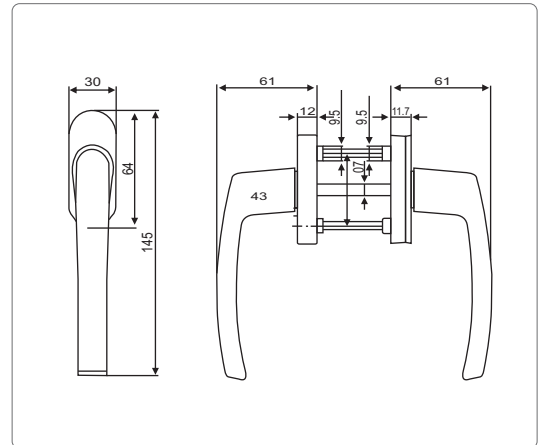
IUCW75L18 / IUCW75R18 : Cockspur Handle, Left / Right

Casement Series

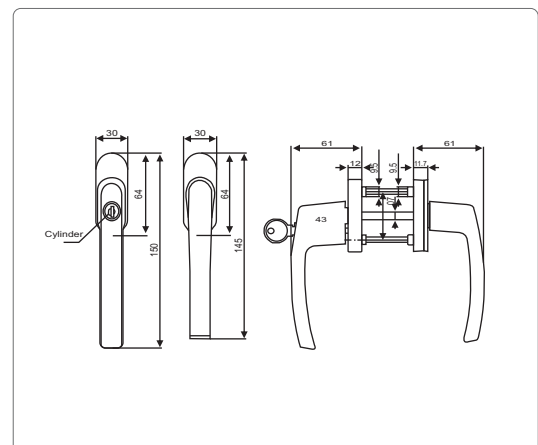
Handles



IUCWP70L20/R20 : Cockspur Handle (Premium) Left / Right

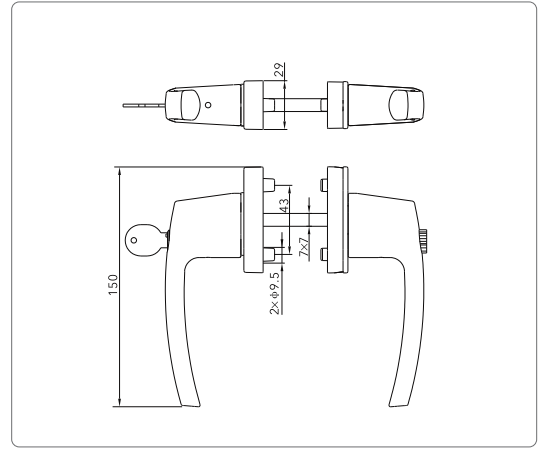


IUCDDH30 : Casement Door Double Handle Without Key

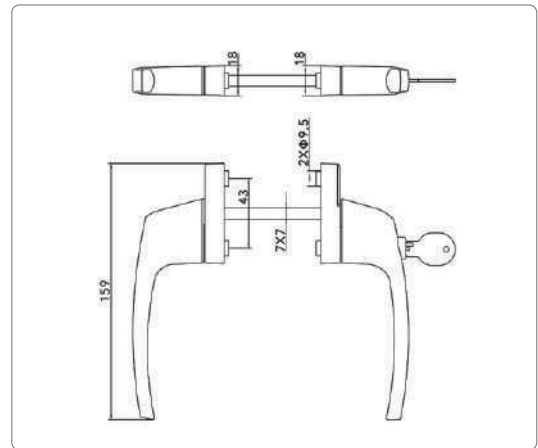


IUCDDHK30 : Casement Door Double Handle With Key

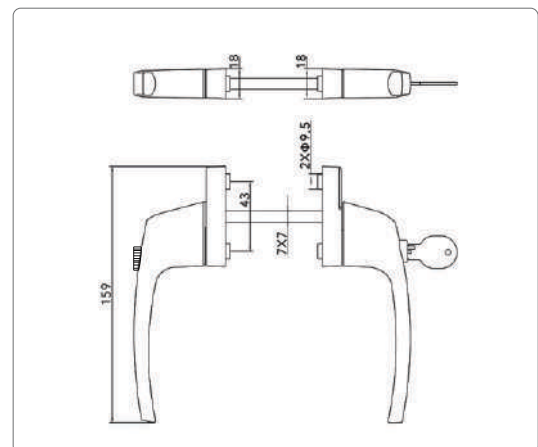
Handles



IUCDDHKB30 : Casement Door Double Handle, One Side Key, One Side Knob



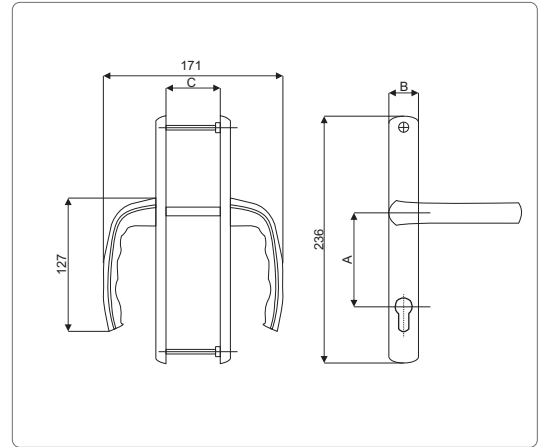
IUCWHK18 : Casement Window Handle, One Side Key, One Side Plan



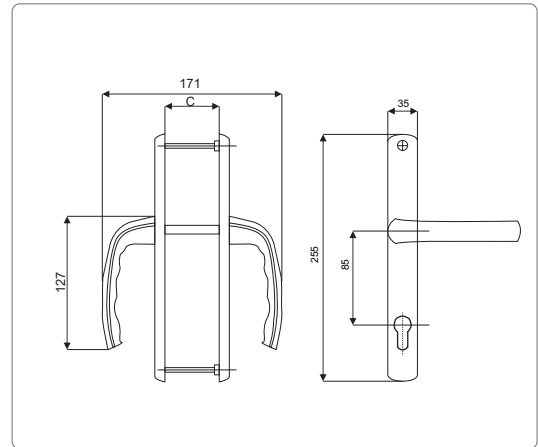
IUCWHKB18 : Casement Window Handle, One Side Key, One Side Knob

Casement Series

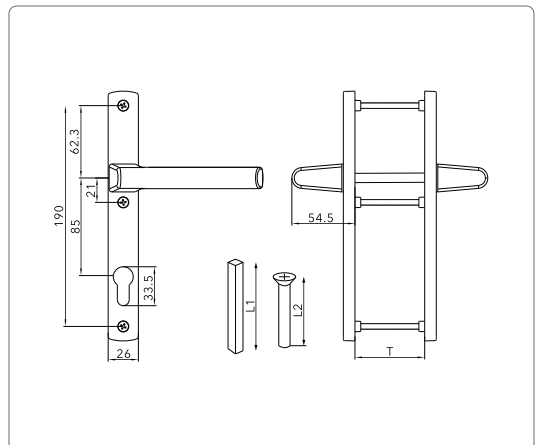
Handles



IUCDHSWK30 : Casement Door Handle Set With Cylinder

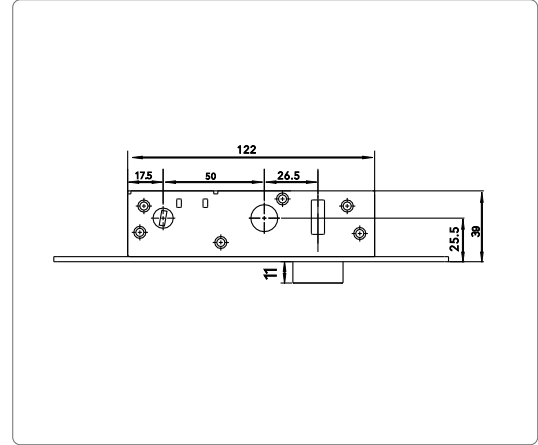


IUCDHSWK30P :

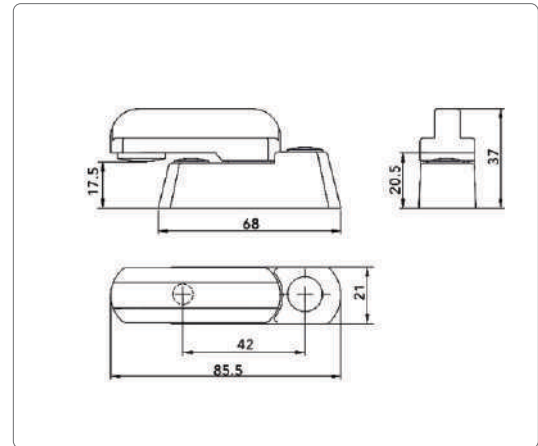


IAMH-04:Casement Door Handle Set (Premium)

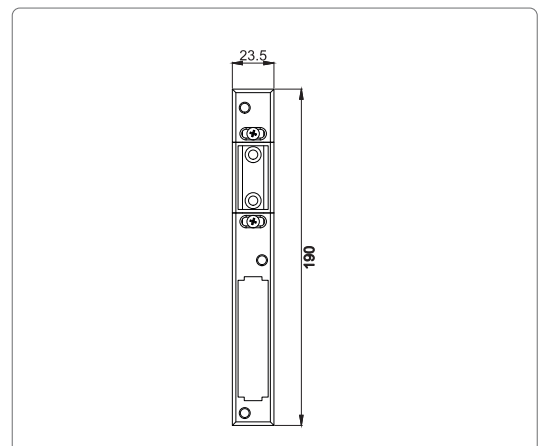
Handles



IUCWCS35 : WC Set With Handle, Latch, Knob & Counter Plate



SASH JAMER : Handle



IUCDHSL200 : Casement Lock Latch

Casement Series

Cylinders & Cover



IMLC - 1 Cylinder With Both Side Key



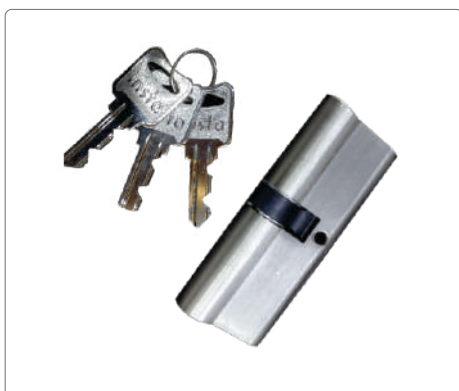
IMLC - 2 Cylinder With One Side Key & One Side Knob



IMLC - 3 Half Cylinder With One Side Key



IMLC - 4 Half Cylinder With One Side Key & One Side Knob



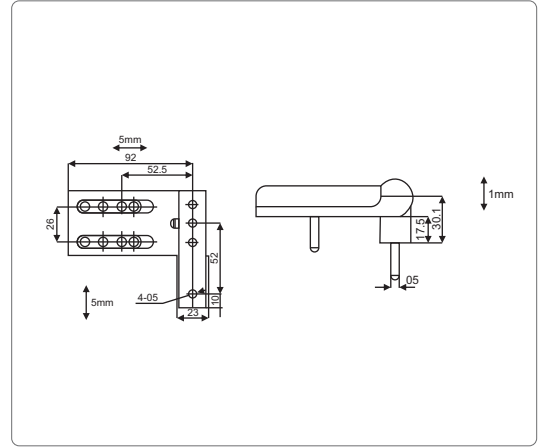
IMLC-1 (Offset) 85mm,80mm
(40mm-45mm) (50mm-30mm)



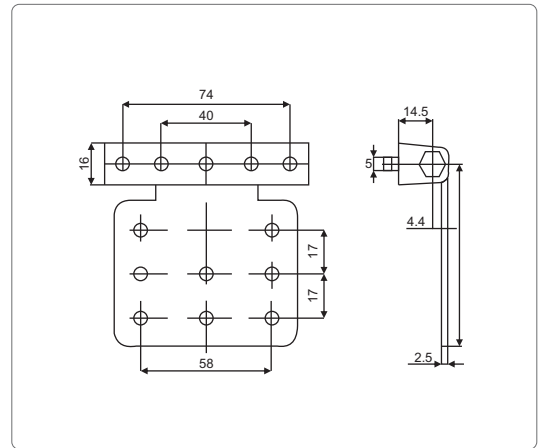
IUCDDC316 Cylinder Cover RAL 9016

*Cylinder is also available in the box size.

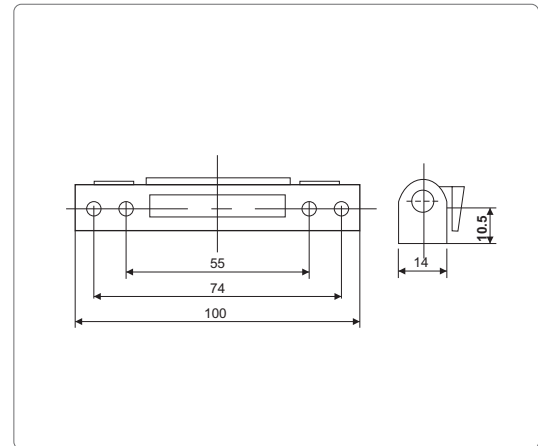
Hinges



IUCD3DH80/120 : 3D Hinges For Door Bearing Weight 80 KG / 120 KG



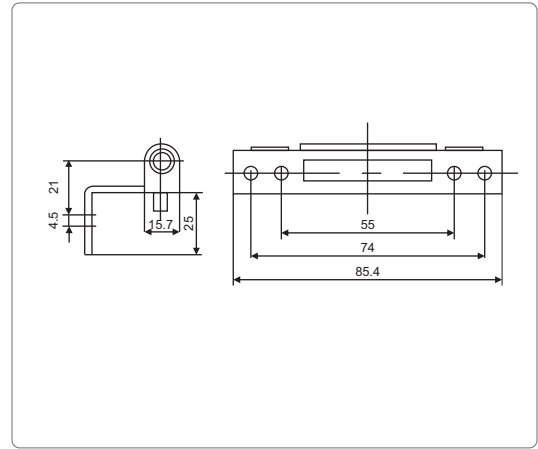
IUCDFH516 : Casement Door Flat Hinge



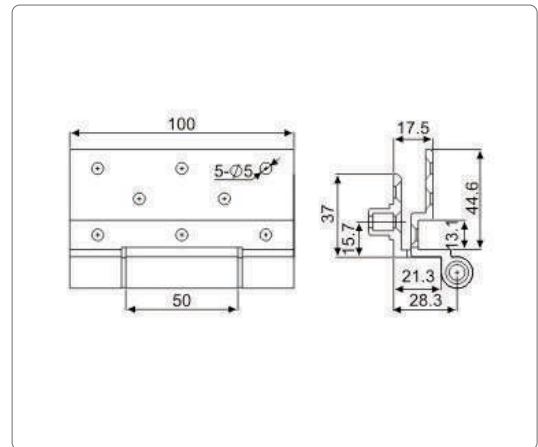
IUCDBH516 : Casement Door Butt Hinge

Casement Series

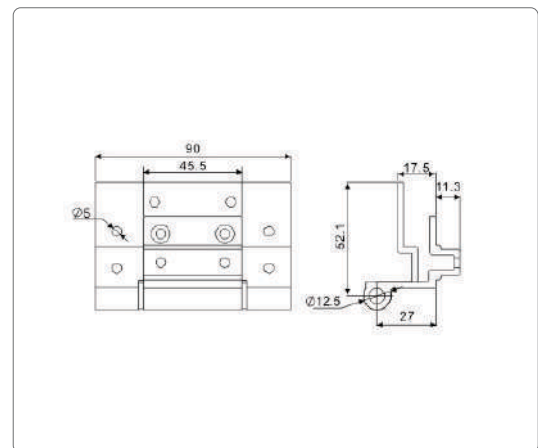
Hinges



IUCDLH516 : Casement Door L Hinge



IUCDCH516H : Concealed Hinge Door



IUCWCH516 : Concealed Hinge Window

Espagnolette (Espags)

Casement Window Espag

Specification : 22 MM Backset, 400-1800 MM Length



Available in White Zinc Plating & Chrome +3 Passivation Coating				
No.	Description	Item Code	L	Locking Point & Keeper
1	Espagnolette for Casement Window (Backset: 22 mm)	IUCWB2204	400	2
2		IUCWB2206	600	2
3		IUCWB2208	800	2
4		IUCWB2210	1000	2
5		IUCWB2212	1200	3
6		IUCWB2214	1400	3
7		IUCWB2216	1600	4
8		IUCWB2218	1800	4

Casement Door Espag without Cylinder

Specification : 30 MM Backset, 1600-1800 MM Length



Available in White Zinc Plating & Chrome +3 Passivation Coating				
No.	Description	Item Code	L	Locking Point & Keeper
1	Espagnolette for Casement Door (Backset: 30 mm)	IUCDB3016	1600	4
2		IUCDB3018	1800	4

Casement Door Espag with Cylinder

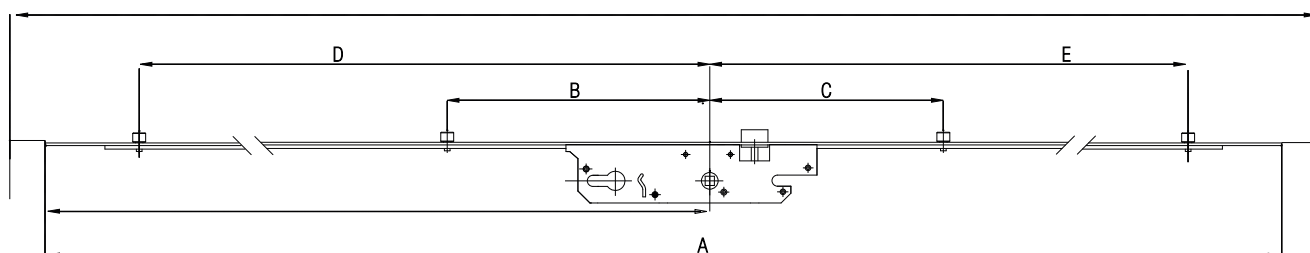
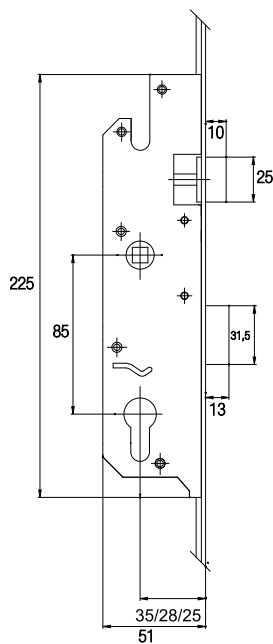
Specification : 35 MM Backset, 1600-1800 MM Length



Available in White Zinc Plating & Chrome +3 Passivation Coating				
No.	Description	Item Code	L	Locking Point & Keeper
1	Espagnolette for Casement Door (Backset: 35 mm)	IUCDB3516	1600	4
2		IUCDB3518	1800	4

Casement Series

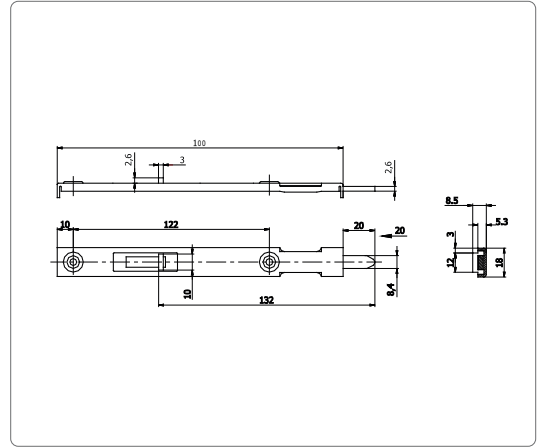
Espagnolette (Espags)



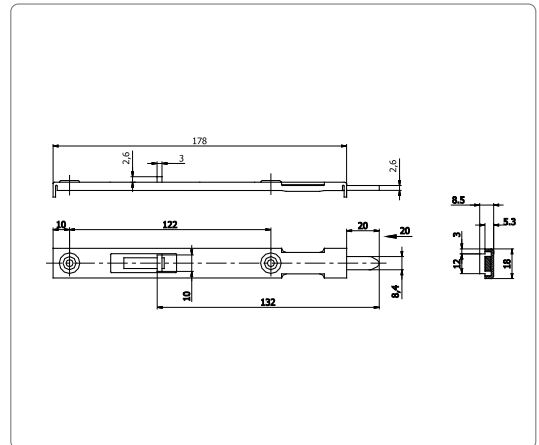
IUCDL8518

Casement Door Espag 35/28/25 MM, 1800MM

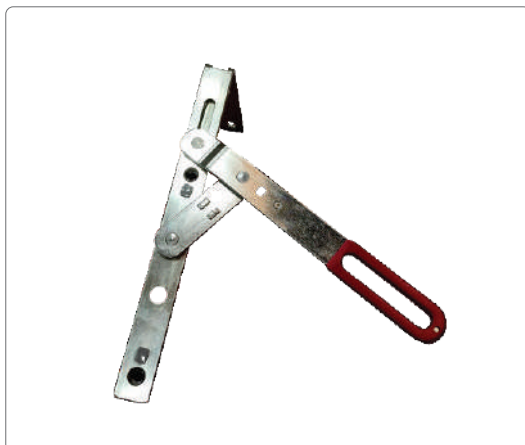
Shoot Bolt



IUCDSB04 : Shoot Bolt 4"



IUCDSB06 : Shoot Bolt 6"

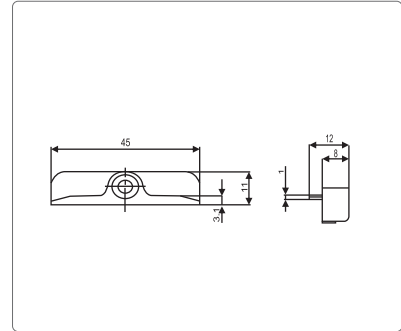


IUCDSB08 : Shoot Bolt 8"

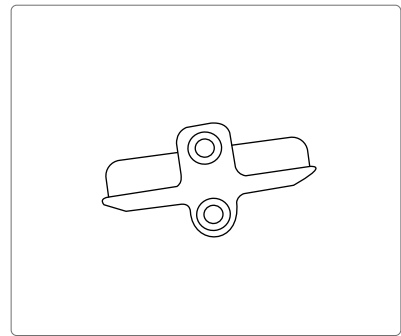
IUCDSB08 : Shoot Bolt 8" Eco

Casement Series

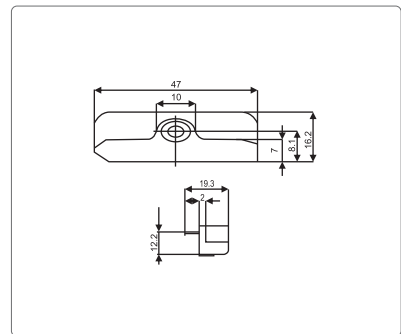
Keepers



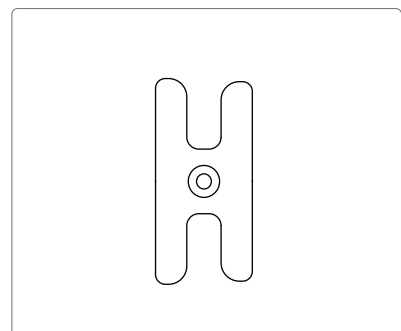
IUCSWD : Casement Window Striker



IUCSWD2 : Casement Window Striker

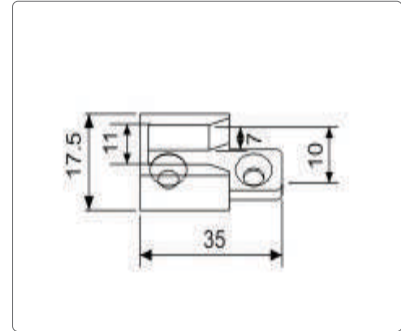


IUCSDDEGM : Casement Door Striker

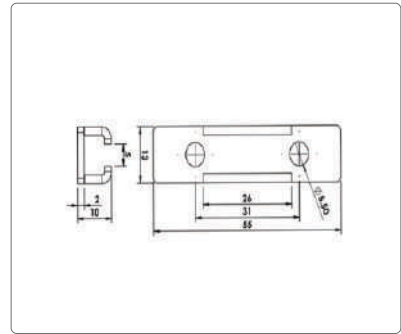
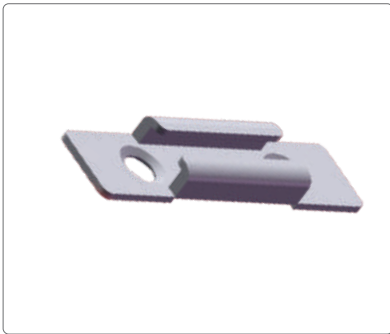


IUCSD : H Type

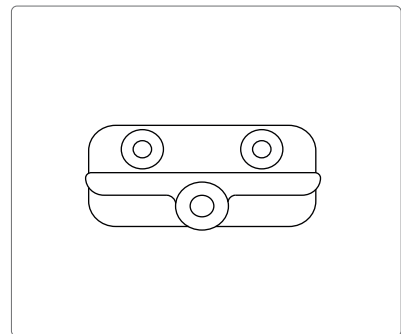
Keepers



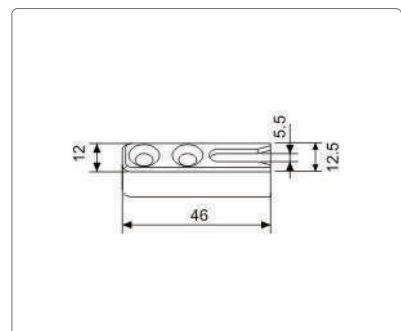
IUCSFD : Keep For French Door



IUSEK-1 : Sliding Striker



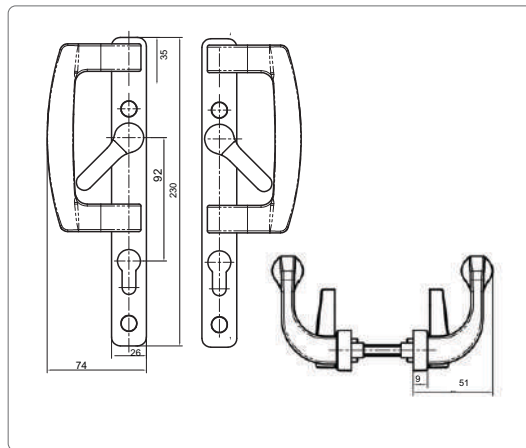
IUCSD-01 : German Casement Keep



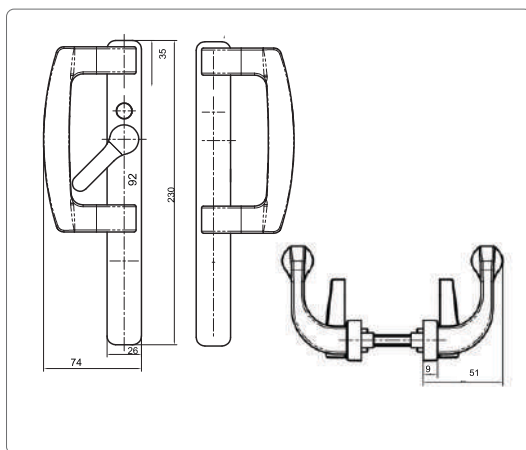
IUSEK-02 : Sliding Striker

Sliding Series

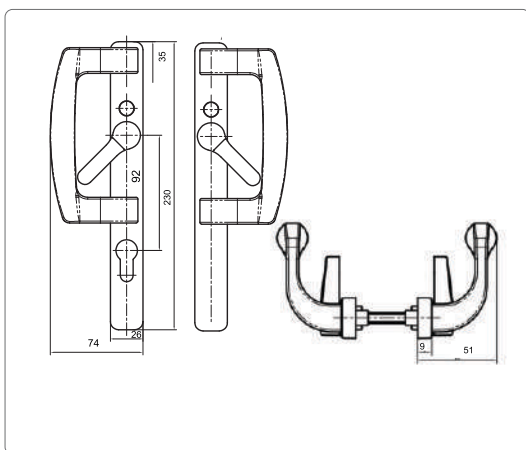
Handles



IUSDHDT25 : Sliding Door D Type Handle With Cylinder Hole

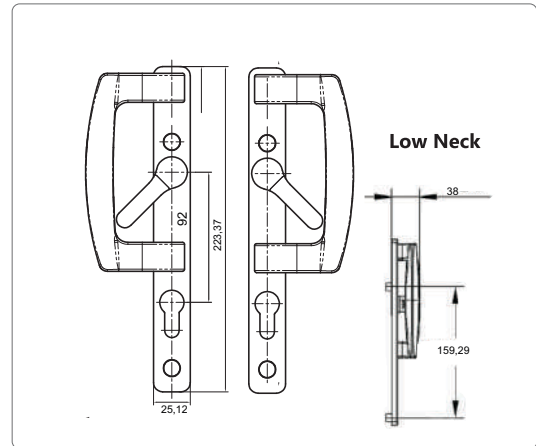


IUSDHDT25 : Sliding Door D Type Handle, One Side Lever, One Side Plain

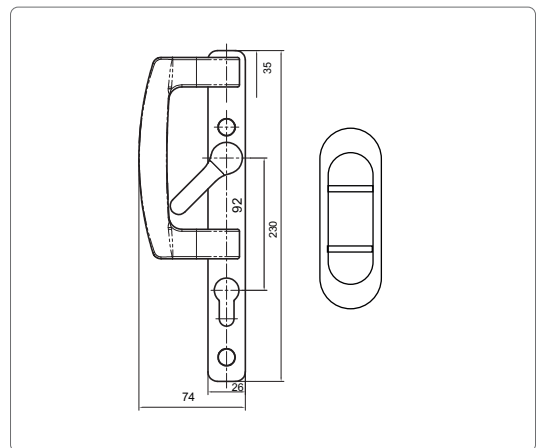


IUSDHDT25[1C1D] : D Type Handle, One Side Cylinder Hole & Lever, One Side Plain

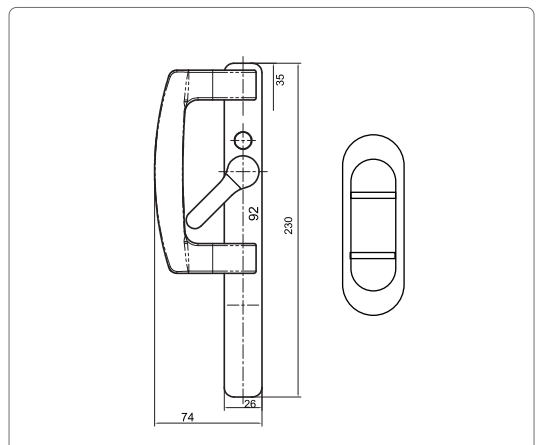
Handles



IUSDHDT25 : Low Neck Handle



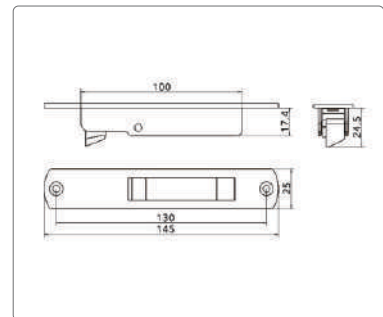
IUSDHDT[1C1P] : D Type Handle, With One Side Cylinder Whole & Lever, One Side Pull Plate



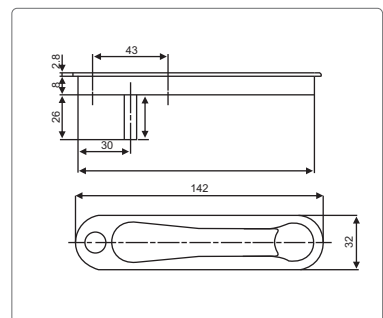
IUSDHDT[1L1P] : D Type Handle, With One Side Lever, One Side Pull Plate

Sliding Series

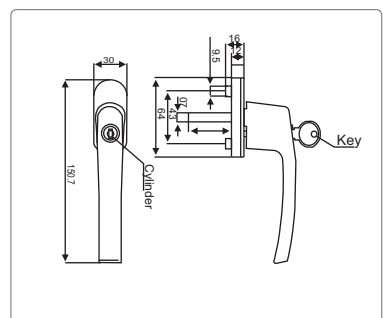
Handles



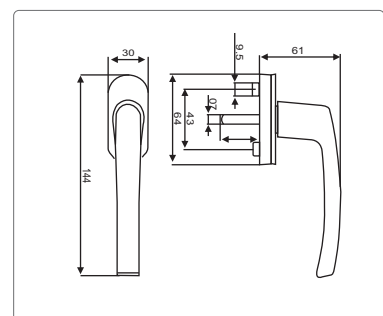
IUSWTLL16 / IUSWTLR16 : Touch Lock **TLSSK - 1** : Hook



IUSDPOP32 : Sliding Door Popup Handle

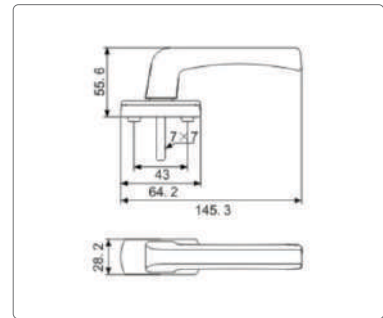


IUSHWK30 : Sliding Door Handle With Key

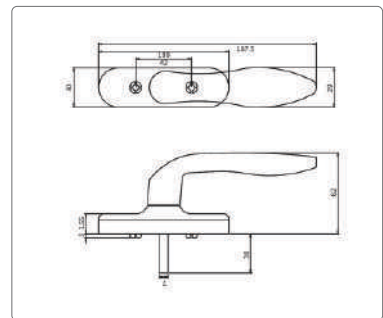


IUSHWOK25 : Sliding Door Handle

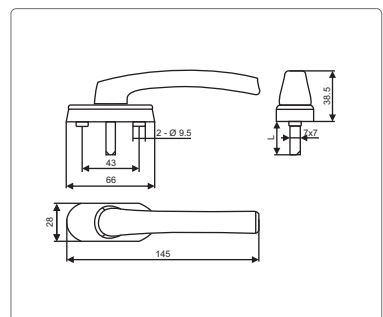
Handles



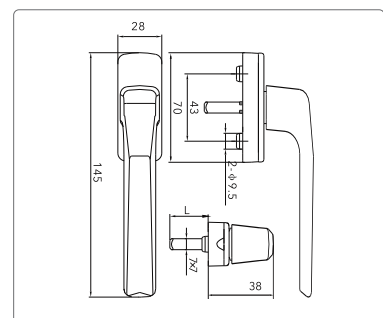
IUSHWOK25PFM : Sliding Handle With Low Neck



IUSHWOKP25 : Sliding Handle In Full Metal

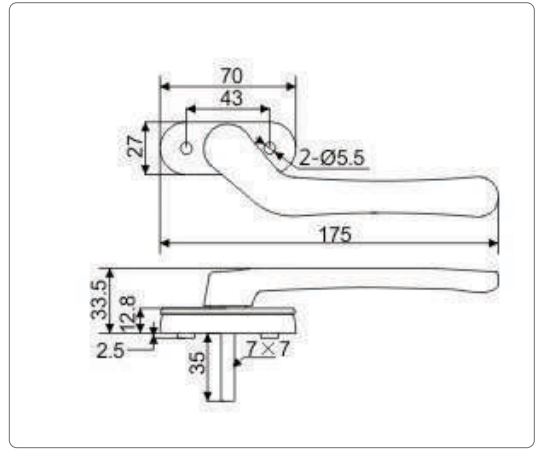


IUSLNH28 : Sliding Handle With Low Neck



ISLNHP28 : Sliding Handle With Low Neck

Handles



IUSLNHK28L/28R : Sliding Short Neck Handle With Key



IUSWCLL22 / IUSWCLR22 :
Sliding Crescent Lock With Keep **CLK-1**



IUCSMWH-2 : Handle For Mesh Window

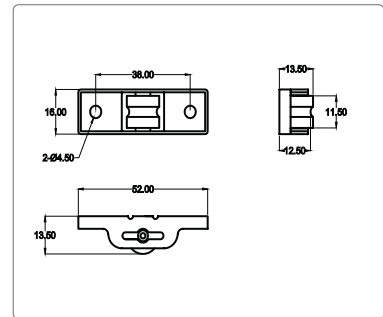


IUCSMDH-1 : Handle For Mesh Door

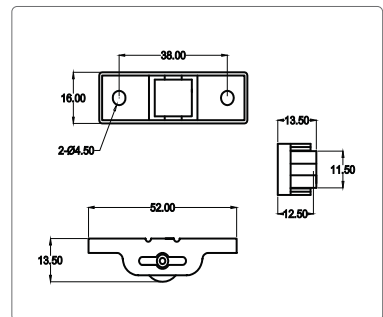


IUCSMWH-1 : Handle For Mesh Window

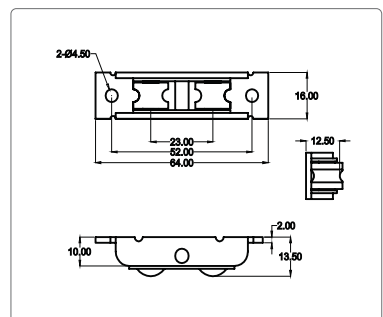
Rollers



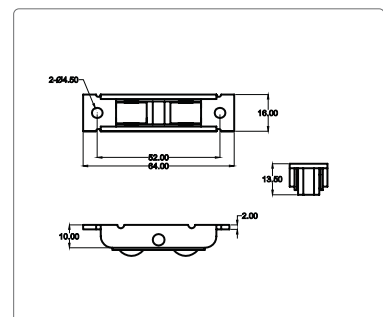
IUSWRG0213 : Sliding Window Single Nylon Roller With Groove In SS Body



IUSWRF0213 : Sliding Window Single Nylon Roller Flat In SS Body

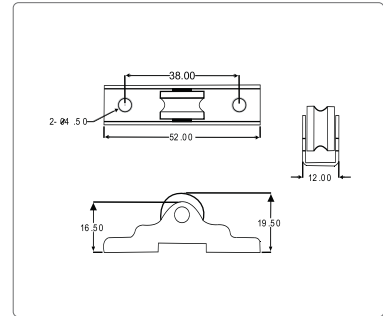


IUSWDRG0213 : Sliding Window Double Nylon Roller With Groove In SS Body

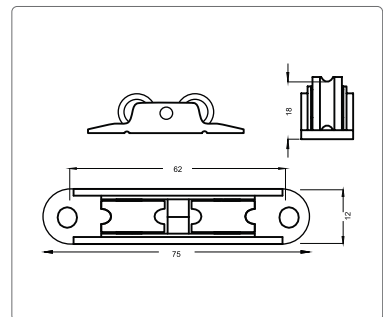


IUSWDRF0213 : Sliding Window Double Nylon Roller Flat In SS Body

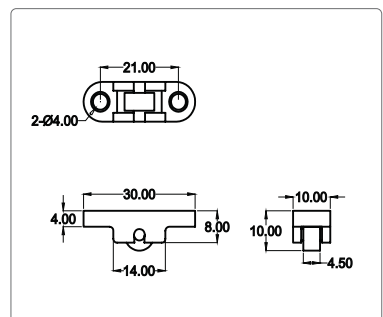
Rollers



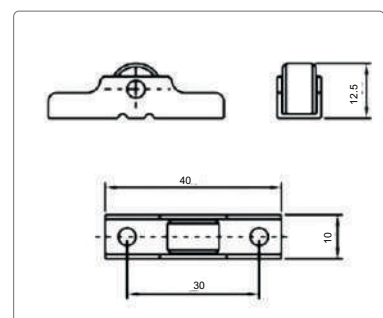
IUSWBRGO213 : Single Roller With Groove (Ball Bearing) In SS Body



IUSWBDRGO213 : Double Roller With Groove (Ball Bearing) In SS Body

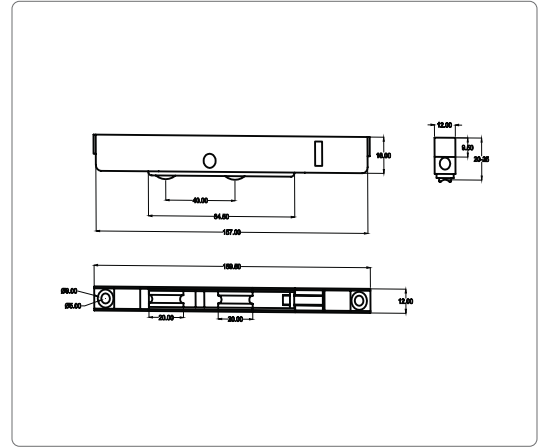
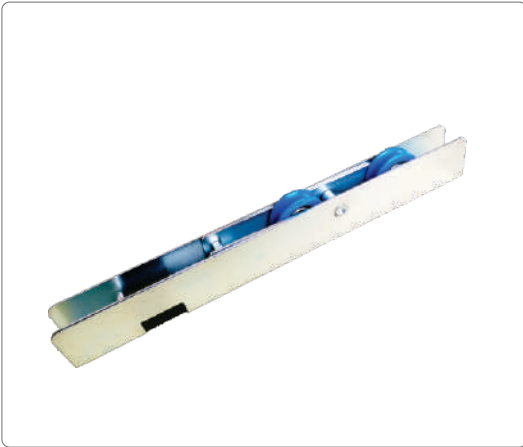


IUSWMRP - 1 : Sliding Window Mesh Roller

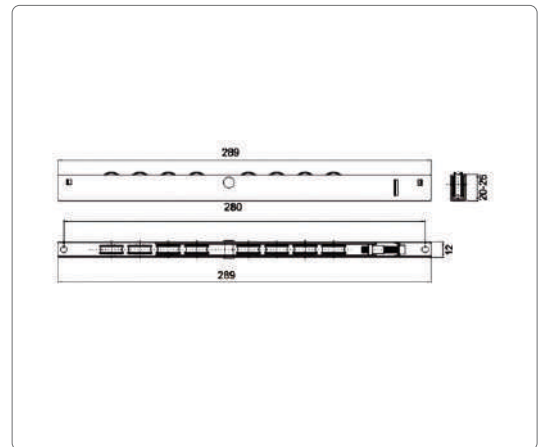


IUSWMRM - 1 : Sliding Window Mesh Roller In Metal Body

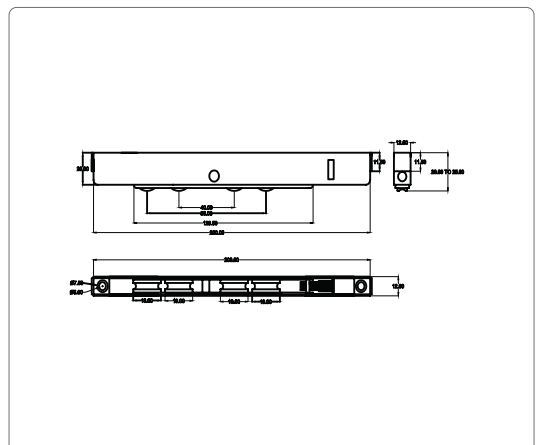
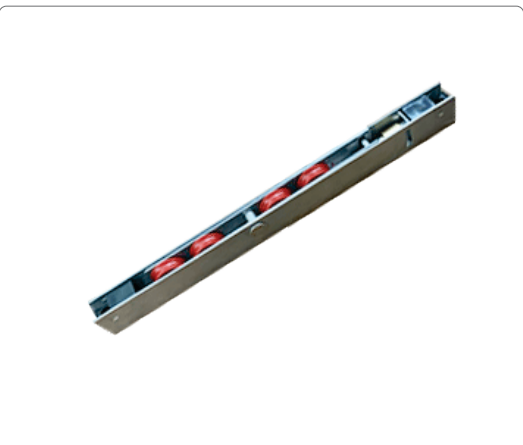
Rollers



IUSDAR2012 : Sliding Door Heavy Duty Adjustable Roller With Groove In SS Body



USDAR2012SH : Sliding Heavy Duty Eight Wheel Roller With Groove In SS Body



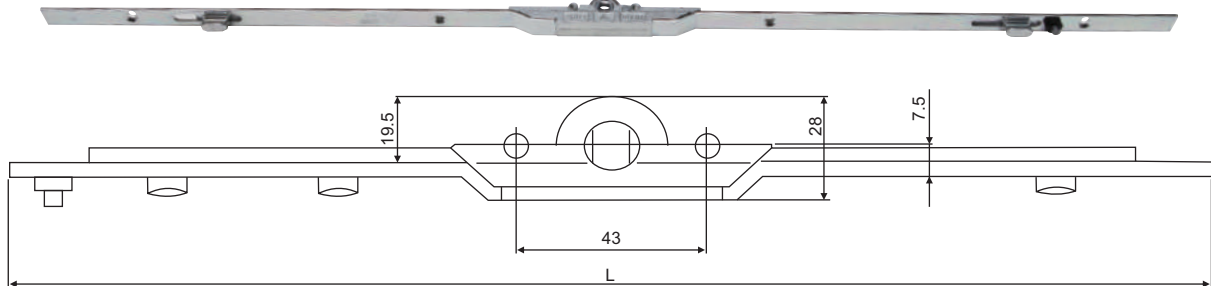
IUSDAR2012H : Sliding Heavy Duty Four wheel Roller With Groove In SS Body

Sliding Series

Espagnolette (Espags)

Sliding Window Espag

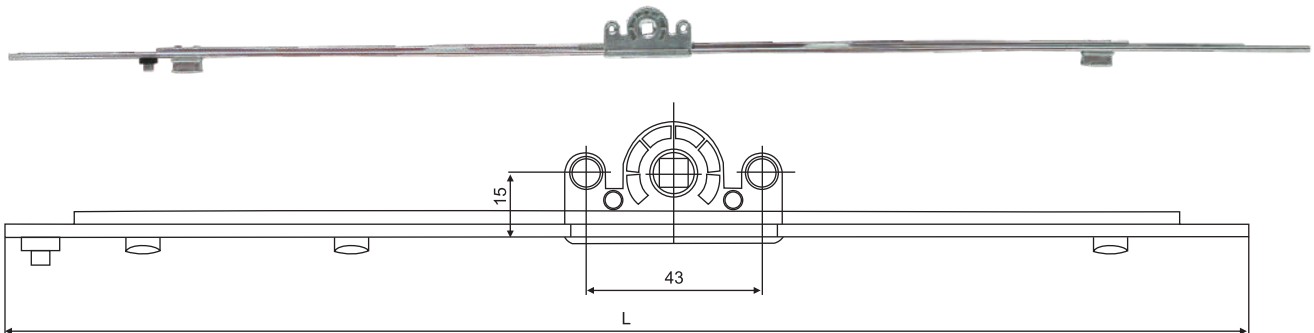
Specification : 7.5 MM Backset, 400-2000 MM Length



Available in White Zinc Plating & Chrome +3 Passivation Coating				
No.	Description	Item Code	L	Locking Point & Keeper
1	Espagnolette for Sliding Window (Backset:7.5mm)	IUSWB7504	400	2
2		IUSWB7506	600	2
3		IUSWB7508	800	2
4		IUSWB7510	1000	2
5		IUSWB7512	1200	3
6		IUSWB7514	1400	3
7		IUSWB7516	1600	4
8		IUSWB7518	1800	4
9		IUSWB7520	2000	4

Sliding Door Espag

Specification : 15 MM Backset, 400-2000 MM Length



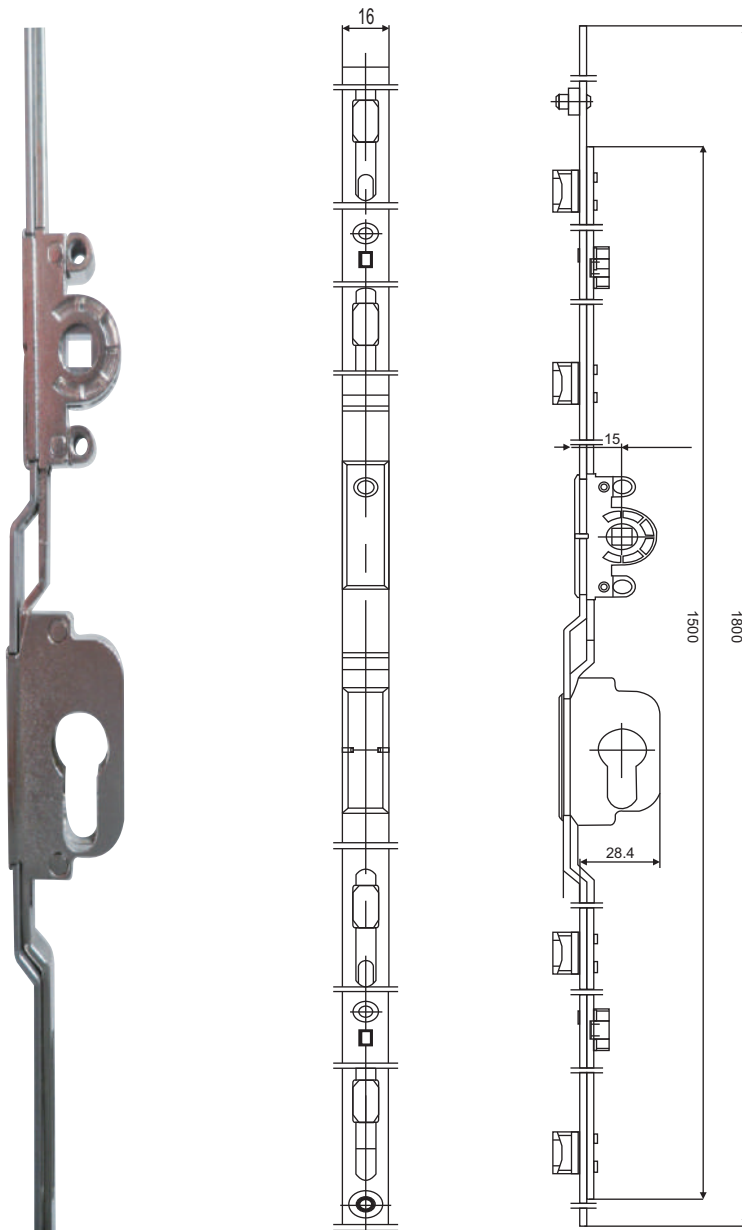
Available in White Zinc Plating & Chrome +3 Passivation Coating				
No.	Description	Item Code	L	Locking Point & Keeper
1	Espagnolette for Sliding Door (Backset: 15mm)	IUSDB1504	400	2
2		IUSDB1506	600	2
3		IUSDB1508	800	2
4		IUSDB1510	1000	2
5		IUSDB1512	1200	3
6		IUSDB1514	1400	3
7		IUSDB1516	1600	4
8		IUSDB1518	1800	4
9		IUSDB1520	2000	4

Espagnolette (Espags)

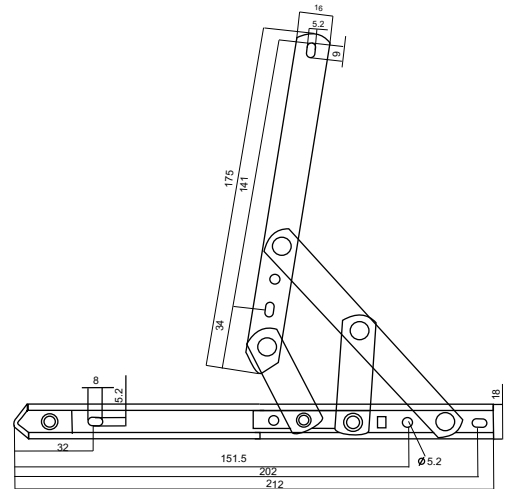
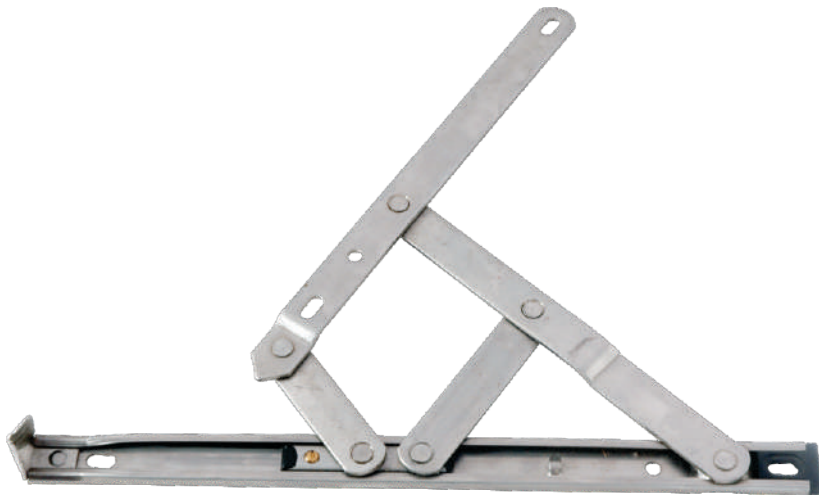
Sliding Door Espag

Sliding Door Espagnolette With Cylinder Option - BS : 15MM, 1800MM

IUSDDB1518



Friction Stay Series



Premium Series

Material - SS304

Base Width - 18MM Square Groove

No.	Item Code	Size (Inch)	Stack Height (MM)	Number of Arms	Bar Thickness	Opening Angle	Max Height (MM)	Max Width (MM)	Max Sash Weight (kg)
1	IUFSL2008	8	13	4	2mm	60° + 2°	1200	350	11
2	IUFSL2010	10	13	4	2mm	90° + 2°	1200	500	16
3	IUFSL2012	12	13	4	2mm	90° + 2°	1200	600	18
4	IUFSL2014	14	13	4	2mm	90° + 2°	1200	650	22
5	IUFSL2016	16	13	4	2mm	90° + 2°	1200	700	25
6	IUFSL2018	18	13	4	2mm	90° + 2°	1200	750	28
7	IUFSL2020	20	13	5	2mm	90° + 2°	1200	1000	32
8	IUFSL2022	22	13	6	2mm	90° + 2°	1200	1100	35
9	IUFSL2024	24	13	6	2mm	90° + 2°	1200	1200	38

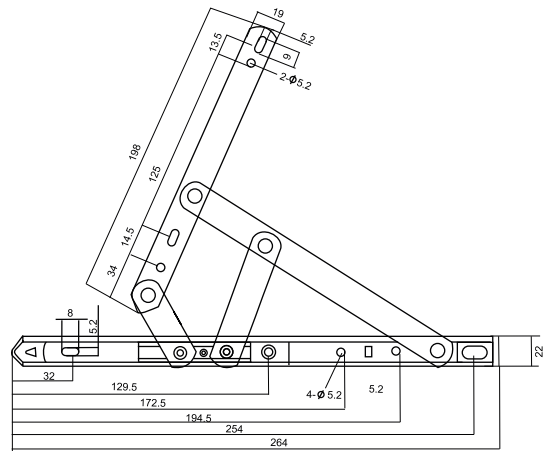
Premium Plus Series

Material - SS304

Base Width - 18MM Square Groove

No.	Item Code	Size (Inch)	Stack Height (MM)	Number of Arms	Bar Thickness	Opening Angle	Max Height (MM)	Max Width (MM)	Max Sash Weight (kg)
1	IUFSH2508	8	16.5	4	2.5 mm	60° + 2°	1400	350	13
2	IUFSH2510	10	16.5	4	2.5 mm	90° + 2°	1400	500	16
3	IUFSH2512	12	16.5	4	2.5 mm	90° + 2°	1400	600	19
4	IUFSH2514	14	16.5	4	2.5 mm	90° + 2°	1400	650	21
5	IUFSH2516	16	16.5	4	2.5 mm	90° + 2°	1400	700	25
6	IUFSH2518	18	16.5	4	2.5 mm	90° + 2°	1400	750	28

Friction Stay Series

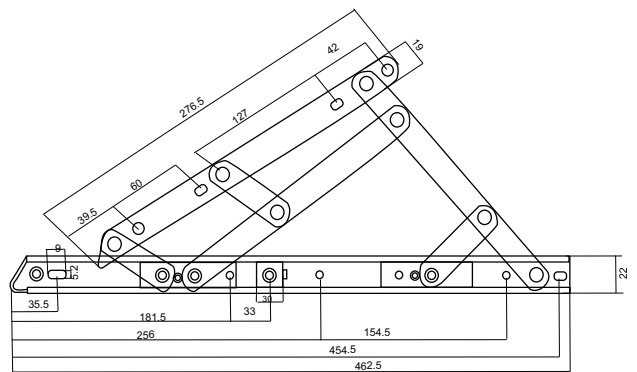


Platinum Series

Material - SS304

Base Width - 22MM Square Groove

No.	Item Code	Size (Inch)	Stack Height (MM)	Number of Arms	Bar Thickness	Opening Angle	Max Height (MM)	Max Width (MM)	Max Sash Weight (kg)
1	IUFSH2210	10	16.5	4	2.5 mm	90° + 2°	1500	600	36
2	IUFSH2212	12	16.5	4	2.5 mm	90° + 2°	1500	650	40
3	IUFSH2214	14	16.5	4	2.5 mm	90° + 2°	1500	700	44
4	IUFSH2216	16	16.5	4	2.5 mm	90° + 2°	1500	900	50



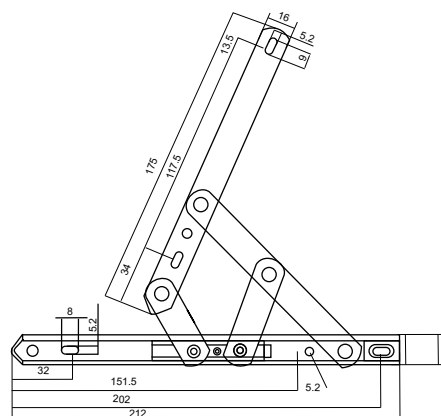
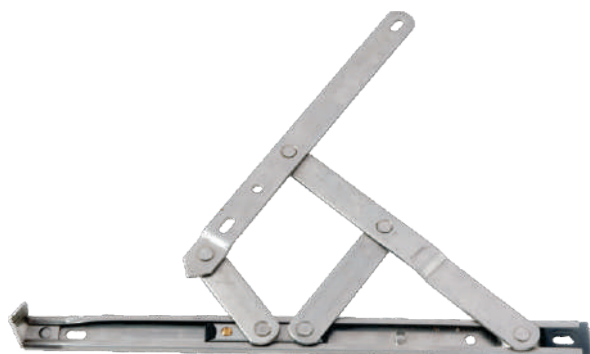
Platinum Plus Series

Material - SS304

Base Width - 22MM Square Groove

No.	Item Code	Size (Inch)	Stack Height (MM)	Number of Arms	Bar Thickness	Opening Angle	Max. Height (MM)	Max. Width (MM)	Max. Sash Weight (kg)
1	IFHD2218	18	16.5	5	3mm	30° + 2°	1400	1500	90
2	IFHD2220	20	16.5	6	3mm	30° + 2°	1500	1500	100
3	IFHD2222	22	16.5	6	3mm	30° + 2°	1600	1500	112
4	IFHD2224	24	16.5	6	3mm	30° + 2°	1800	1800	120
5	IFHD2226	26	16.5	6	3mm	30° + 2°	1900	1900	125
6	IFHD2228	28	16.5	6	3mm	30° + 2°	2000	2000	130

Friction Stay Series



Standard Series

Material - SS 202

Base Width - 18MM Square Groove

No.	Item Code	Size (Inch)	Stack Height (MM)	Number of Arms	Bar Thickness	Opening Angle	Max Height (MM)	Max Width (MM)	Max Sash Weight (kg)
1	IUFSS2008	8	13	4	2mm	60° + 2°	1200	350	11
2	IUFSS2010	10	13	4	2mm	90° + 2°	1200	500	16
3	IUFSS2012	12	13	4	2mm	90° + 2°	1200	600	18
4	IUFSS2014	14	13	4	2mm	90° + 2°	1200	650	22
5	IUFSS2016	16	13	4	2mm	90° + 2°	1200	700	25
6	IUFSS2018	18	13	4	2mm	90° + 2°	1200	750	28

Standard Plus Series

Material - SS 202

Base Width - 18MM Square Groove

No.	Item Code	Size (Inch)	Stack Height (MM)	Number of Arms	Bar Thickness	Opening Angle	Max Height (MM)	Max Width (MM)	Max Sash Weight (kg)
1	IUFSS2508	8	16.5	4	2.5 mm	60° + 2°	1400	350	13
2	IUFSS2510	10	16.5	4	2.5 mm	90° + 2°	1400	500	16
3	IUFSS2512	12	16.5	4	2.5 mm	90° + 2°	1400	600	19
4	IUFSS2514	14	16.5	4	2.5 mm	90° + 2°	1400	650	21
5	IUFSS2516	16	16.5	4	2.5 mm	90° + 2°	1400	700	25
6	IUFSS2518	18	16.5	4	2.5 mm	90° + 2°	1400	750	28

Wind Break Arm



IUWBA1810S
IUWBA1812S
IUWBA1810P
IUWBA1812P

Material - SS 202, SS 304 Base Width - 18MM Square Groove

Stainless Steel Concealed Stay

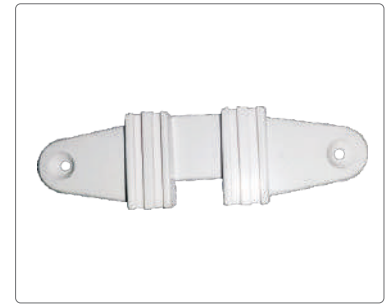




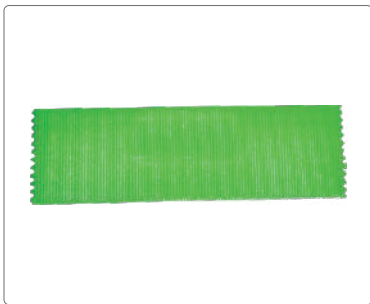
Drainage Cap



Sash Stopper



Anti Lift



Glass Packers



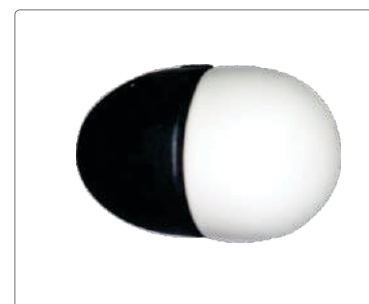
U Packers



Sliding Stopper



Screw Cap



Bum Stopper



**Mechanical Joint
Anti lift L Type**



Fastener & Screw



Anti lift L Type



Inward Striker



insta[®]
for a smoother life



D-Mall, 910, 9th Floor,
Netaji Subhash Place, Delhi-110034



www.instahardware.com



011-40743510/11, 9354601044



info@instahardwares.com

