

**insta**<sup>®</sup>  
for a smoother life

**COMPLETE RANGE OF  
ALUMINIUM HARDWARE**



# COMPANY PROFILE



**At Insta Hardware,** we are a team of highly talented, experienced, and award-winning architects and designers who are dedicated to delivering exceptional architectural solutions. Our company's journey began with Mr. Satish Gupta's visionary decision to diversify the family business and explore new avenues of opportunity. With his extensive 30 years of experience in civil construction, it was a natural progression to establish a firm that would elevate the standards of the industry. Since our launch in 2008, Insta Hardware has steadily grown from strength to strength, fueled by our unwavering commitment to excellence. We uphold the highest standards of professionalism and utilize best practices in every aspect of our operations. Our team of professionals constantly strives for continuous improvement, ensuring that our processes are refined to deliver unrivaled customer satisfaction.

Our diverse range of products and an ever-expanding list of satisfied customers bear testimony to our dedication to providing the very best the world has to offer to the discerning Indian market. We believe in sourcing products only from the most esteemed international manufacturers, ensuring that we offer the highest quality architectural solutions that are relevant to the needs of our Indian clientele.

At Insta Hardware, we embody the values of value, design, longevity, and environmental consciousness. These qualities are at the core of everything we do. We understand the importance of providing products that not only meet the highest standards of functionality and aesthetics but also contribute to sustainable practices. By embracing environmental consciousness, we aim to create a better future while delivering exceptional value to our customers.

With our headquarters located in the vibrant city of New Delhi, we are strategically positioned to cater to a diverse range of architectural projects across the country. Whether it's residential, commercial, or institutional spaces, our team is equipped with the expertise and creativity to bring your vision to life.

# OUR FIRST PRIORITY

## Customer Satisfaction

**Your Happiness Matters** : We prioritize your satisfaction above all else. Our products are built to not only meet but exceed your expectations.

**Responsive Support** : Our dedicated customer support team is here to assist you throughout your journey, from product selection to after-sales service.



## Durability and Longevity

**Invest with Confidence** : Our hardware is engineered to endure, promising enduring performance that with stands daily wear and tear.

**Value for Investment** : By choosing our products, you're investing in lasting value that enhances the functionality and aesthetics of your spaces.

**insta**<sup>®</sup>  
for a smoother life



# Warranty Certificate

THIS IS TO CERTIFY THAT WE INSTA WARRANTY OUR PRODUCT  
AGAINST MANUFACTURING DEFECT FOR A MINIMUM PERIOD OF 10 YEARS,  
OUR WARRANTY WILL BE VALID IF THE PRODUCT ARE NOT  
MISUSED, IMPROPERLY ASSEMBLED OR DAMAGE  
IN ANY WAY.

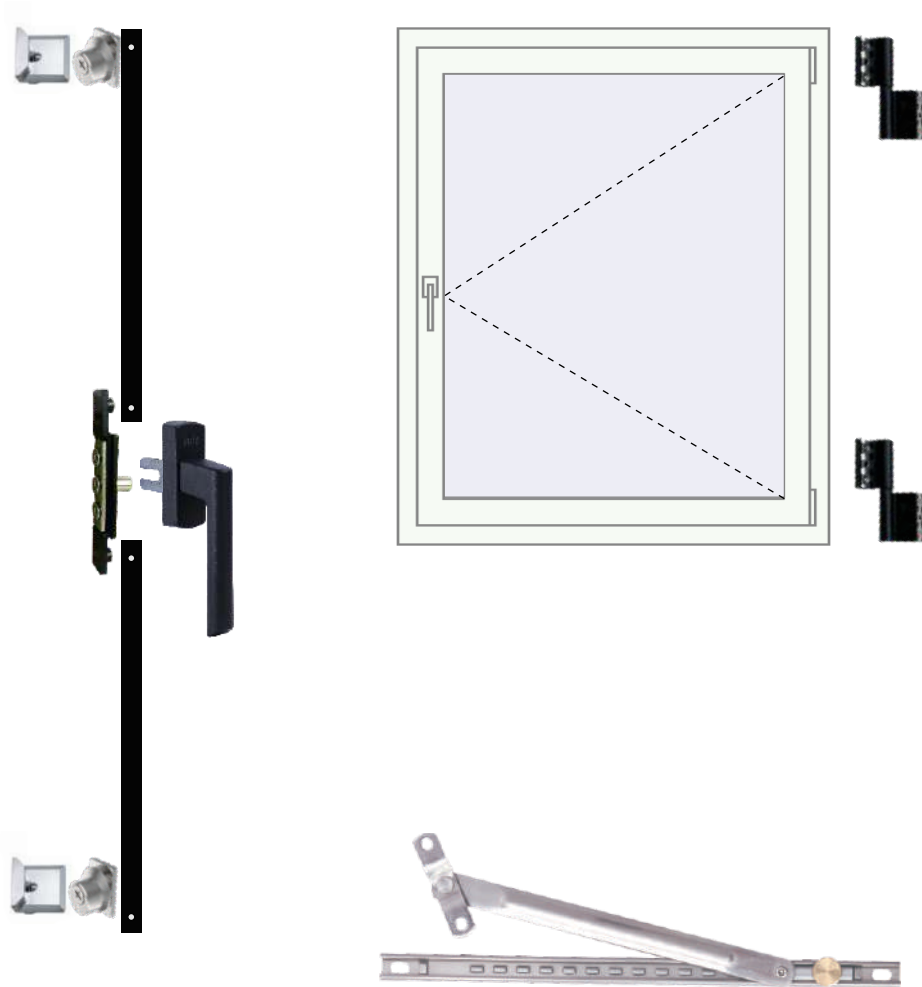


  
**Satish Gupta**  
Director

**GLORIOUS PRODUCTS (INDIA) PVT. LTD.**  
ARCHITECTURAL BUILDING HARDWARE

# CONTENTS

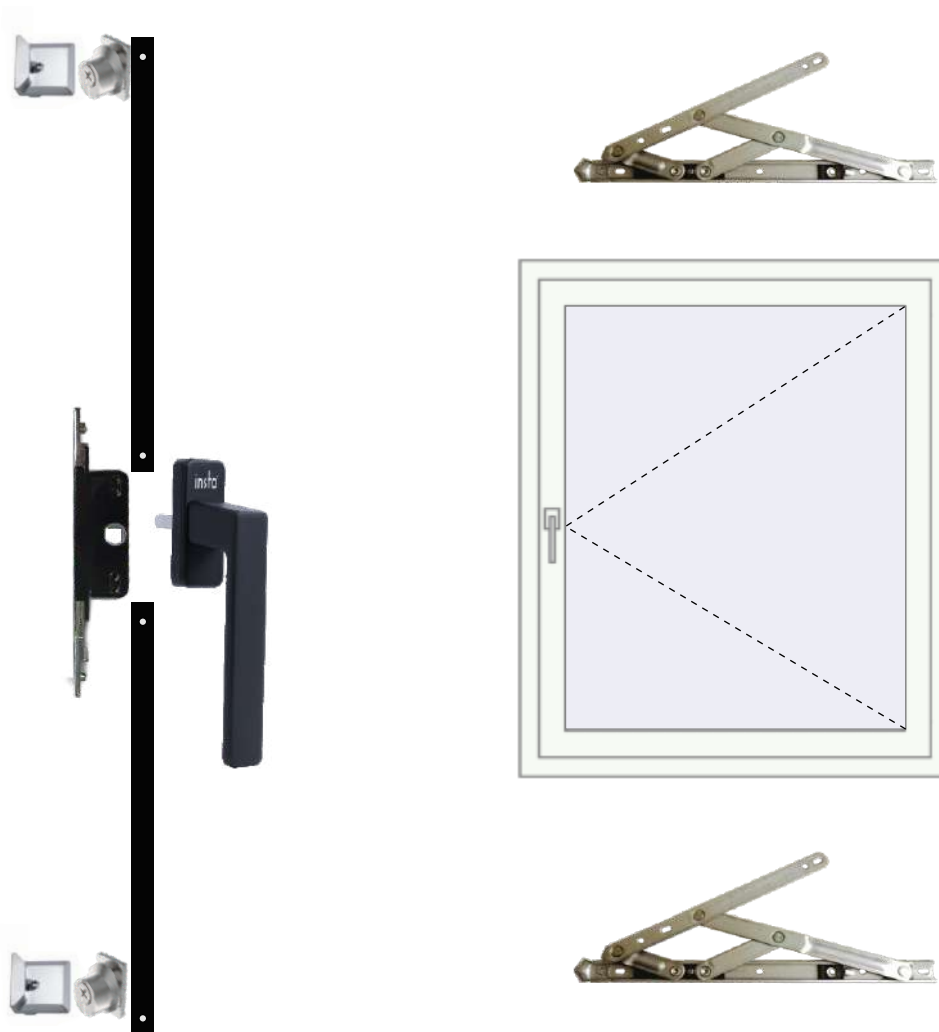
NO.	PARTICULAR	PAGE NO.
<b>DOORS &amp; WINDOW SYSTEM</b>		
	50 mm Series Window System 1.....	1
	50 mm Series Window System 2.....	2
	50 mm Series Window System 3.....	3
	40 mm Series Casement Window System.....	4
	50 mm Series Window System.....	5
	40 mm Series Casement Door System.....	6
	27 mm Series Sliding Window System.....	7
	27 mm Series Sliding Door/Window System.....	8
	29/32/37 mm Series Sliding System 1.....	9
	29/32/37 mm Series Sliding System 2.....	10
<b>PEARL SERIES</b>		
	Pearl Series.....	11
<b>CASEMENT SERIES</b>		
	Cockspur Handle.....	22
	Multipoint Locking Handle.....	24
	Door Handles & Locks.....	26
	Cylinders.....	30
	Shoot Bolt.....	32
	Hinges.....	33
<b>SLIDING SERIES</b>		
	Sliding Handles.....	36
	Rollers.....	44
<b>FRICTION STAY</b>		
	Premium Series Friction Stay.....	46
	Platinum Series Friction Stay.....	47
	Euro Groove Friction Stay.....	48
<b>ACCESSORIES &amp; ESPAG</b>		
	Non Euro Groove Espag.....	50
	Gear Box.....	51
	Cleats.....	52
	Accessories.....	53



## Casement Window Hardware Configuration:

NO.	NAME	CODE NO	PAGE NO
1	HANDLE	IAMHP-04F	24
2	EURO HINGE	EBH-01	33
3	WIND BREAK ARM	IUWBA8P10/12	48
4	CORNER CLEAT FRAME	IACC-05	52
5	CORNER CLEAT SASH	IACC-06	52
6	POLYIMIDE STRIP	ACCESSORIES	53
7	STRICKER	ACCESSORIES	54
8	LOCKING PAWL	ACCESSORIES	54
9	T ROD CONNECTOR EURO	ACCESSORIES	54

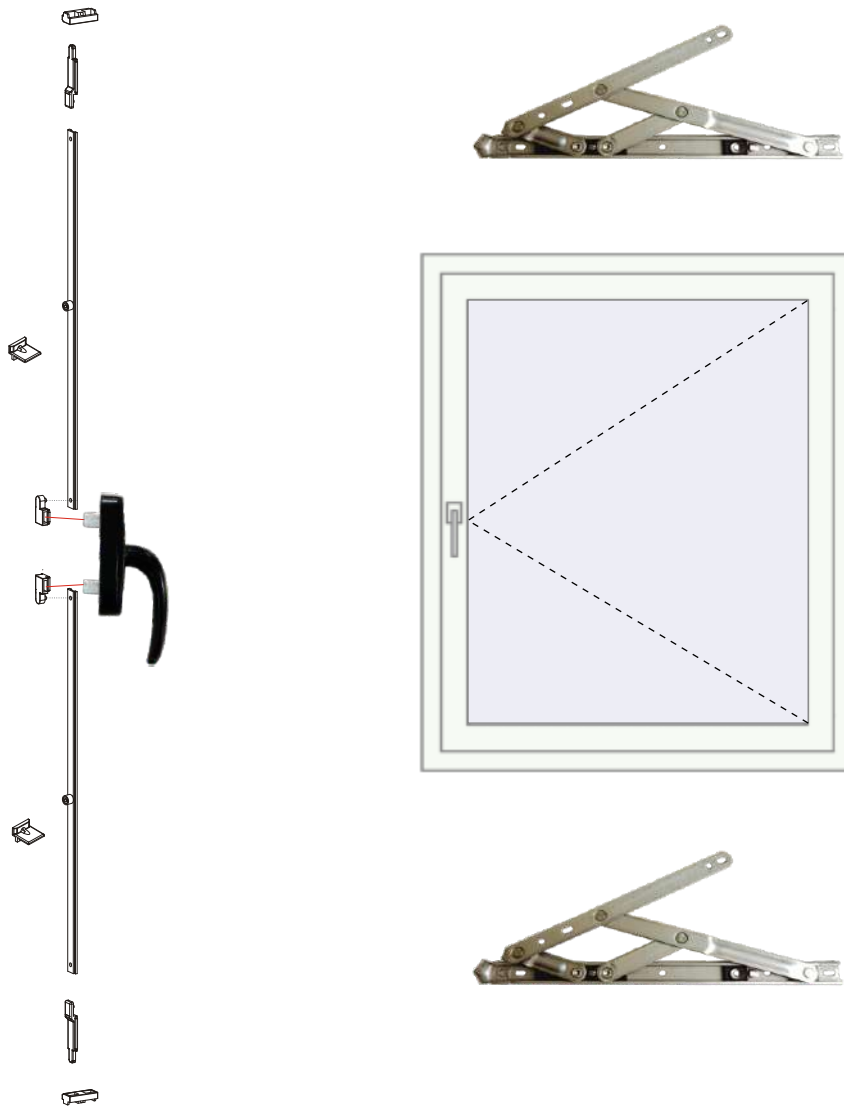
\*To explore further handling options turn to page no.



## Casement Window Hardware Configuration:

NO.	NAME	CODE NO	PAGE NO
1	HANDLE	IASH-LH-12	39
2	FRICITION STAY	IUHSH	47
3	EURO GEAR BOX 25MM BACKSET	IAGB25	51
4	CORNER CLEAT SASH	IACC-05	52
5	CORNER CLEAT FRAME	IACC-06	52
6	POLYMIDE STRIP	ACCESSORIES	54
7	STRICKER	ACCESSORIES	54
8	LOCKING PAWL	ACCESSORIES	54

\*To explore further handling options turn to page no.



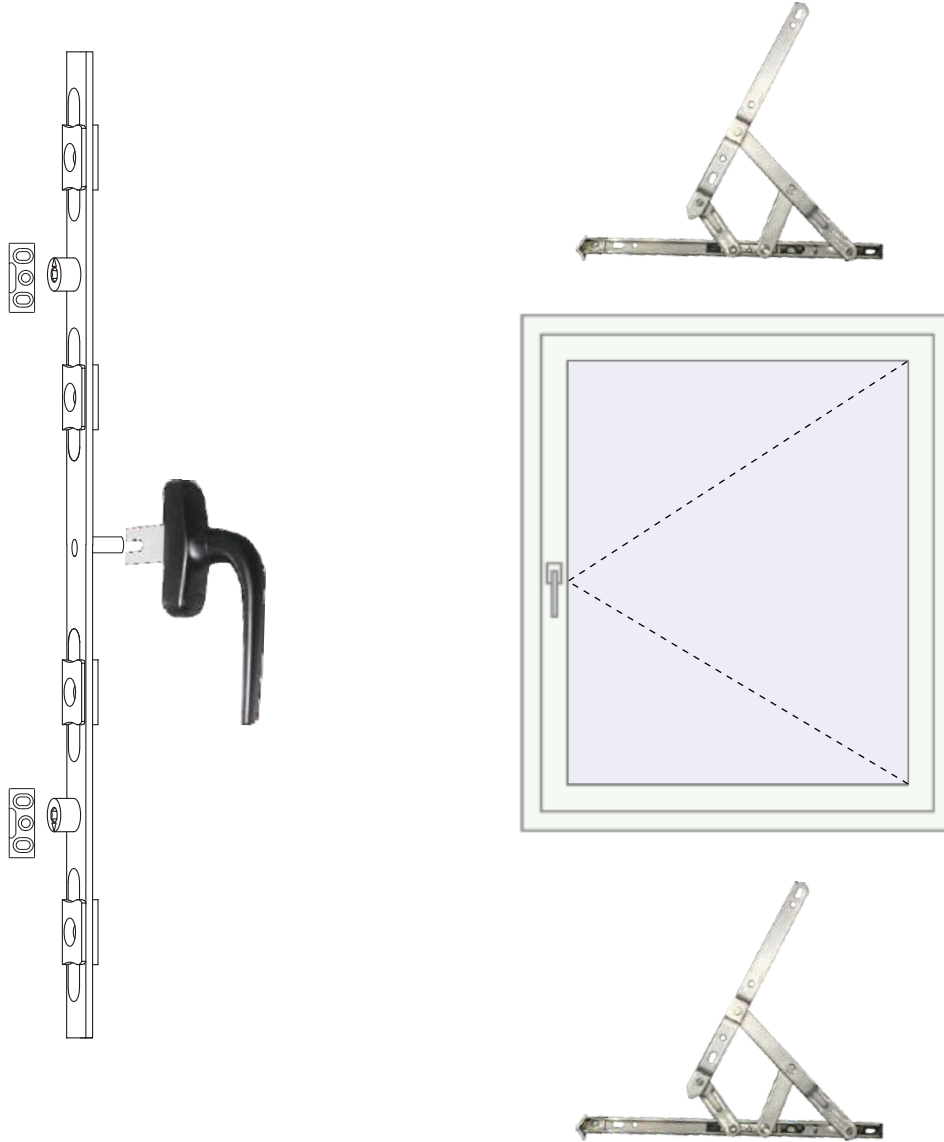
Casement Window Hardware Configuration:

NO.	NAME	CODE NO	PAGE NO
1	HANDLE	IAMTF-01	24
2	FRICTION STAY	IUHSH	47
3	CORNER CLEAT SASH	IACC-05	52
4	CORNER CLEAT FRAME	IACC-06	52
5	POLYMIDE STRIP	ACCESSORIES	53
6	STRICKER	ACCESSORIES	54
7	LOCKING PAWL	ACCESSORIES	54
8	EURO LOCKING PIN	ACCESSORIES	54
9	CONNECT BLOCK	ACCESSORIES	54

\*To explore further handling options turn to page no.



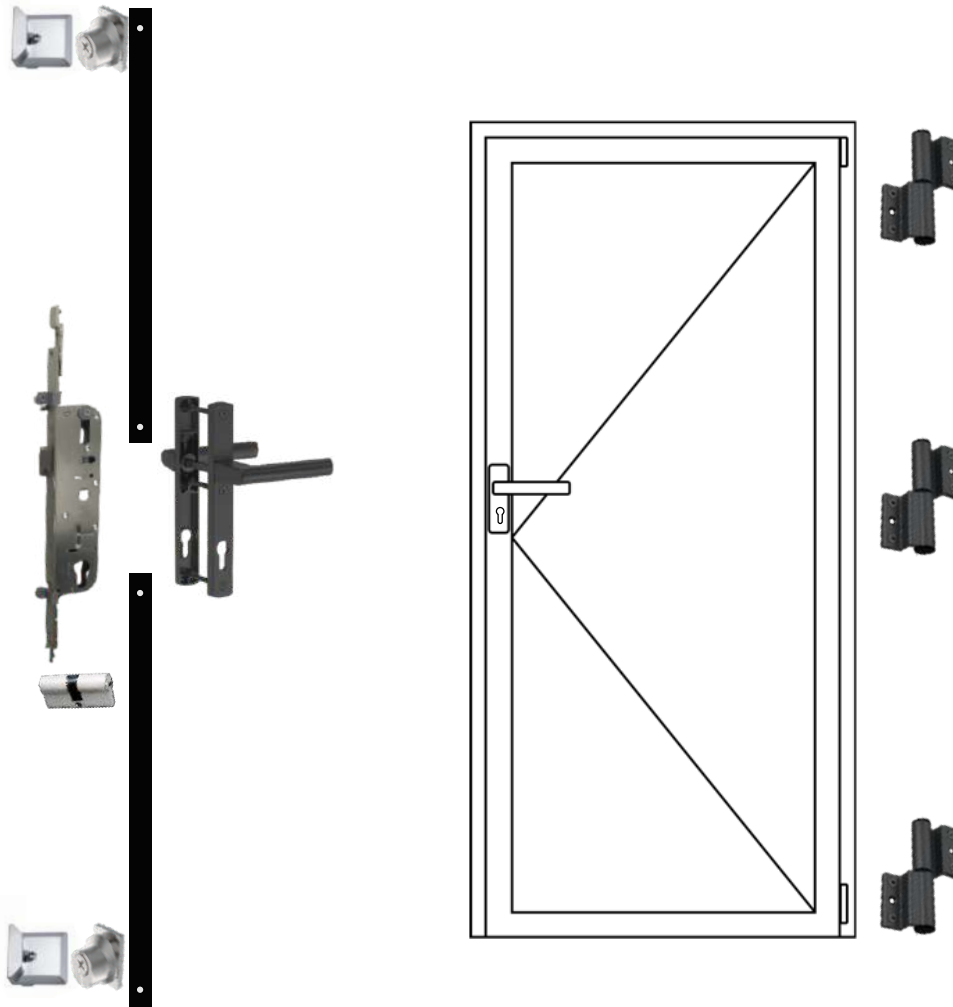
# 40 MM SERIES CASEMENT WINDOW SYSTEM



## Casement Window Hardware Configuration:

NO.	NAME	CODE NO	PAGE NO
1	HANDLE	IASF-01	24
2	FRICTION STAY	IFSUG	48
3	CORNER CLEAT SASH	IACC-05	52
4	CORNER CLEAT FRAME	IACC-06	52
5	NON EURO GROOVE ESPAG	ESPAG	50
6	STRIKER	ACCESSORIES	54

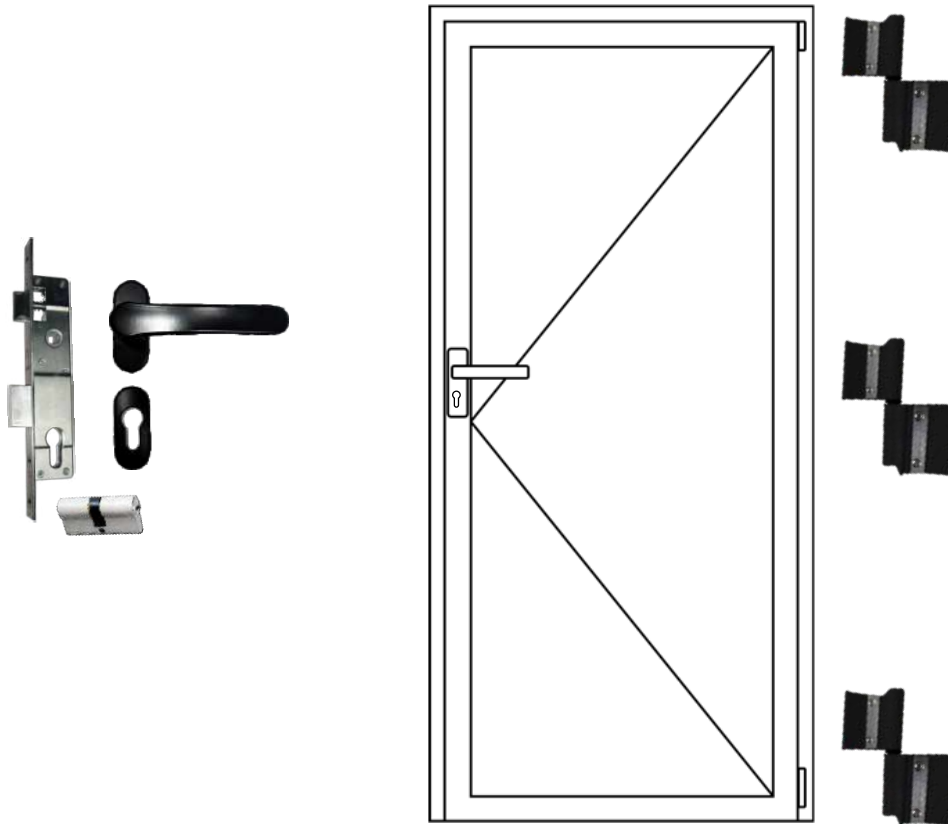
\*To explore further handling options turn to page no.



Casement Door Hardware Configuration:

NO.	NAME	CODE NO	PAGE NO
1	HANDLE	IAMH04	26
2	LOCK BODY 35/85	IMLB-01A	28
3	CYLINDER-80mm(30/50)	IMLC-01	30
4	CORNER CLEAT SASH	IACC-05	52
5	CORNER CLEAT FRAME	IACC-06	52
6	EURO DOOR HINGE	IEHDH01	34
7	POLYMIDE STRIP	ACCESSORIES	53
8	STRIKER	ACCESSORIES	54
9	LOCKING PAWL	ACCESSORIES	54

\*To explore further handling options turn to page no.



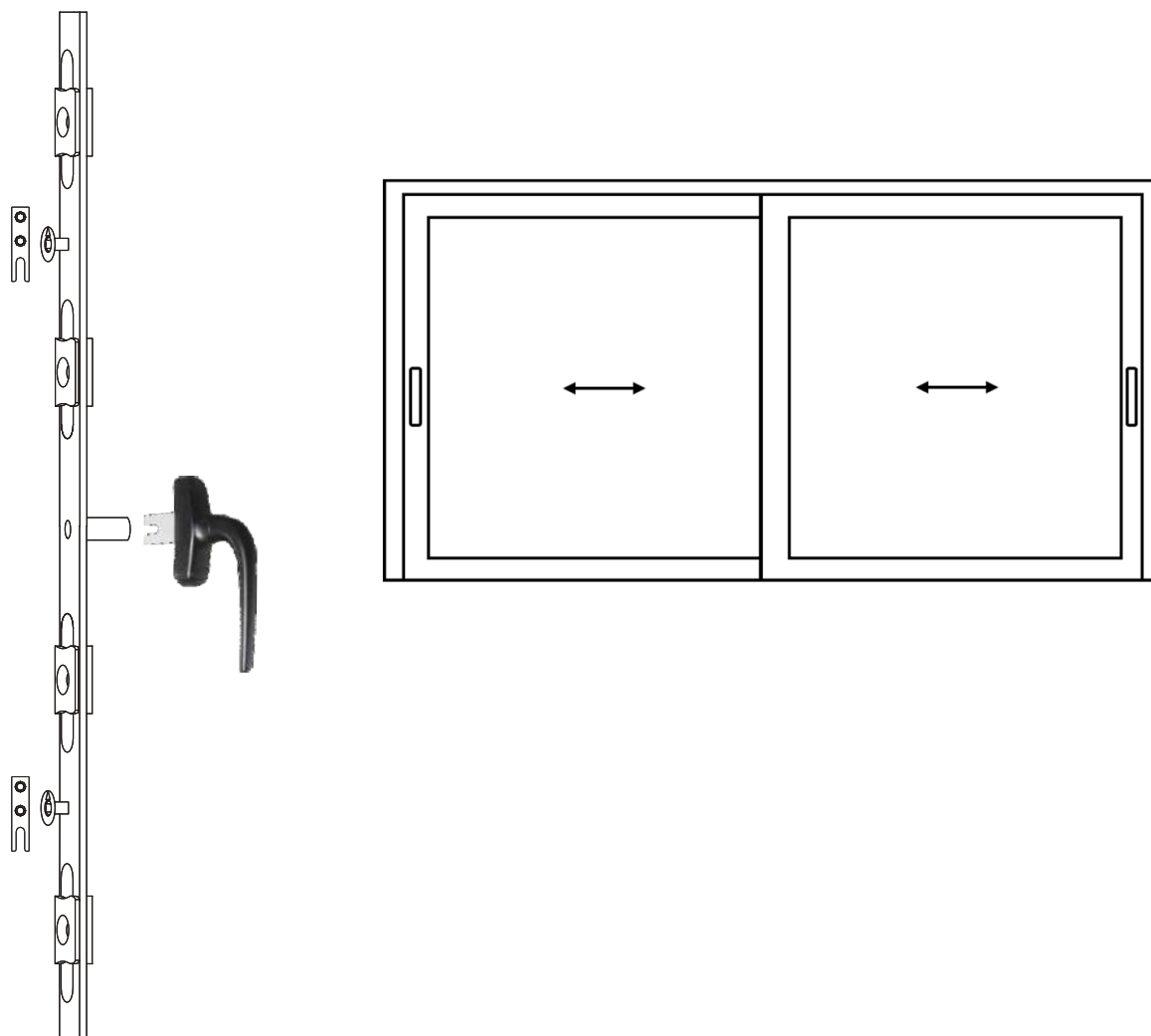
## Casement Door Hardware Configuration:

NO.	NAME	CODE NO	PAGE NO
1	HANDLE	IAMH-03	26
2	LOCK BODY 20/85 or 25/85	IMLB-01	28
3	CYLINDER 60MM	IMLC-1	30
4	HINGES	IDBH-02	33
5	CORNER CLEAT SASH	IACC-04	52
6	CORNER CLEAT FRAME	IACC-04	52

\*To explore further handling options turn to page no.

# 27 MM SERIES SLIDING WINDOW SYSTEM

(NON EURO GROOVE)



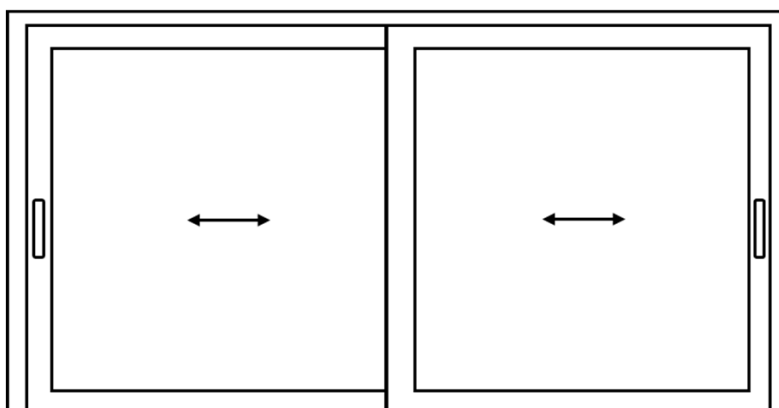
## Sliding Window Hardware Configuration:

NO.	NAME	CODE NO	PAGE NO
1	HANDLE	IASF-01	24
2	ROLLERS	IASR-02A	44
3	CORNER CLEAT	IACC-01	52
4	SLIDING STRIKER	IUSEK-01	54
5	TRANSMISSION ROD (NON EURO)	ACCESSORIES	57

\*To explore further handling options turn to page no.

# 27 MM SERIES SLIDING DOOR / WINDOW SYSTEM

(NON EURO GROOVE)



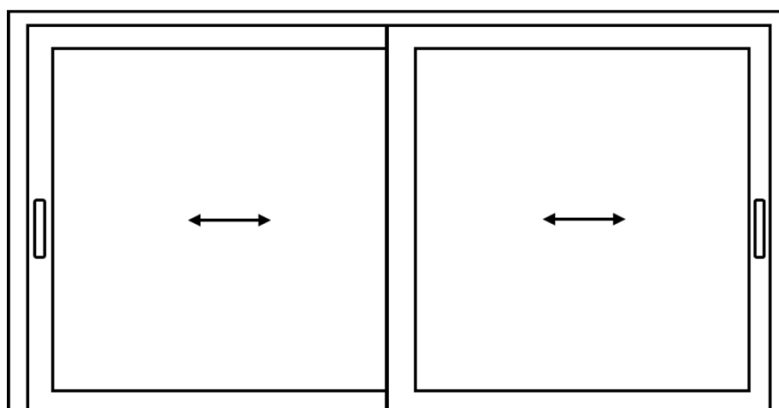
## Sliding Window Hardware Configuration:

NO.	NAME	CODE NO	PAGE NO
1	HANDLE	IASHLH-12	39
2	SLIDING ESPAG 7.5MM BACKSET	IAGB75	51
3	SLIDING STRIKER	IUSEK-01	54
4	ROLLERS	IASR-02A	44
5	CORNER CLEAT	IACC-01	52
6	ESPAG HOLDER	ACCESSORIES	54

\*To explore further handling options turn to page no.

# 29/32/37 MM SERIES SLIDING SYSTEM-1

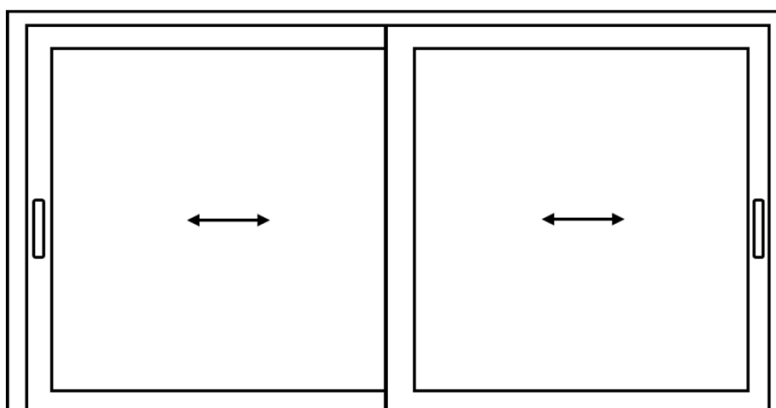
(EURO GROOVE)



## Sliding Window Hardware Configuration:

NO.	NAME	CODE NO	PAGE NO
1	HANDLE	ISHS-08	38
2	ADJUSTABLE ROLLERS	IASR02A	44
3	CORNER CLEAT	IACL-01	52
4	POLYMIDE STRIP	ACCESSORIES	53
5	ONE WAY LOCKING POINT	ACCESSORIES	54
6	TWO WAY LOCKING POINT	ACCESSORIES	54
7	FRAME STRIKER	ACCESSORIES	54
8	EURO T JOINT	ACCESSORIES	54

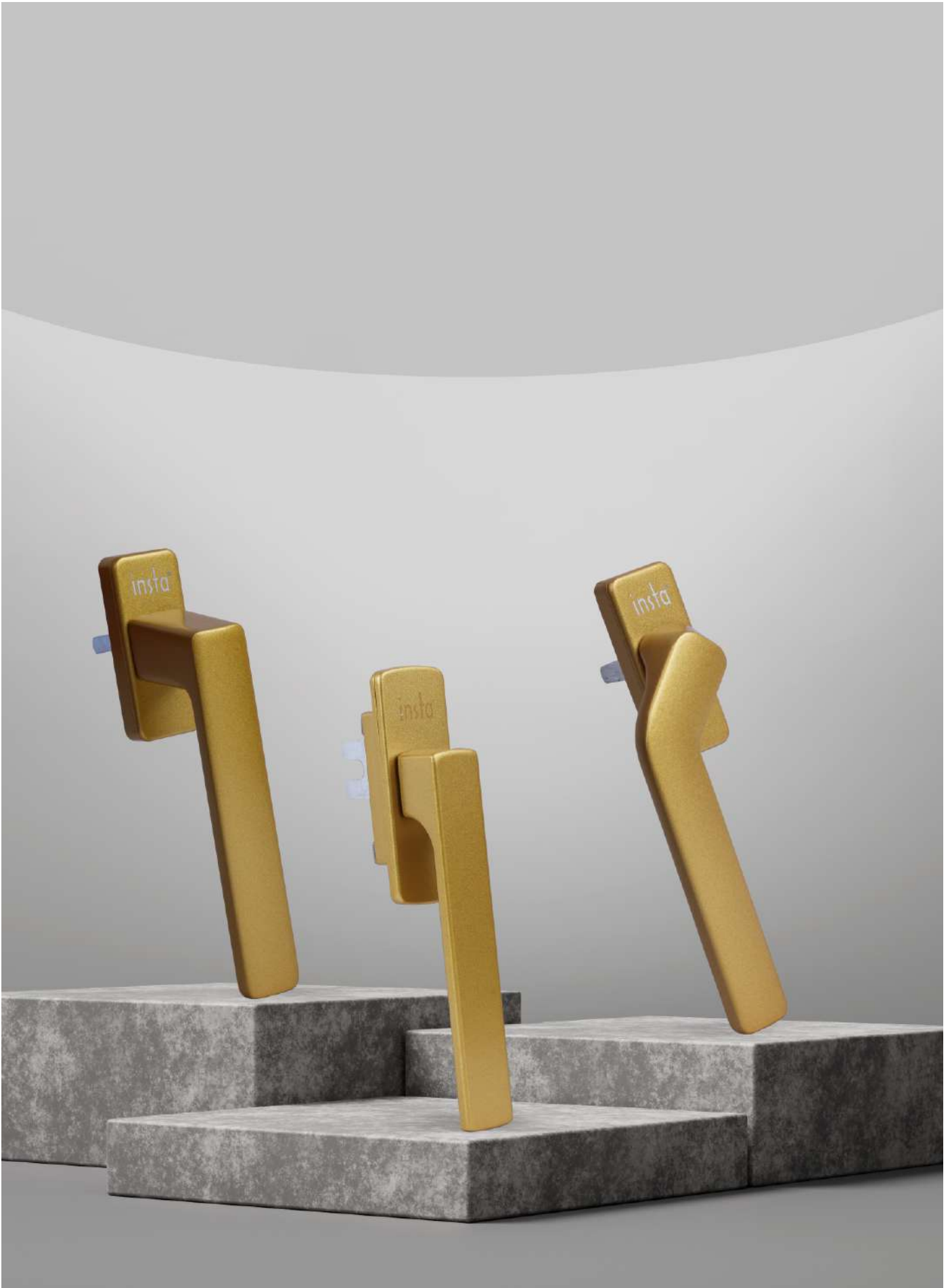
\*To explore further handling options turn to page no.



## Sliding Window Hardware Configuration:

NO.	NAME	CODE NO	PAGE NO
1	HANDLE	IASF-LN-10R/10L	39
2	ADJUSTABLE ROLLERS	IASR02A	44
3	GEAR BOX 7.5 /15 MM BACKSET	IAGB75/IAGB15	51
4	CORNER CLEAT	IACC-01	52
5	POLYMIDE STRIP	ACCESSORIES	53
6	ONE WAY LOCKING POINT	ACCESSORIES	54
7	TWO WAY LOCKING POINT	ACCESSORIES	54
8	FRAME STRIKER	ACCESSORIES	54

\*To explore further handling options turn to page no.





**IAMHP-04F**

Casement Handle with Fork



Material	Zamak Alloy
Finish Type	Power Coated
Color	Golden/Silver/Black
Usage/Application	Aluminium Casement Window

\*Foke Size Are Available In 35mm/50mm

**IASH-LN-11**

Sliding Short Neck Handle with Fork

Material	Zamak Alloy
Finish Type	Power Coated
Color	Golden/Silver/Black
Usage/Application	Aluminium Sliding Door & Window



**IASH-LH-13**

Sliding/ Casement Handle With Spindle



Material	Aluminium Alloy
Finish Type	Power Coated
Color	Golden/Silver/Black/
Usage/Application	Aluminium Sliding Door & Window

**IASF-LN-10R/10L**

Sliding Short Neck Handle Spindle

Material	Aluminium Alloy
Finish Type	Power Coated
Color	Golden/Silver/Black
Usage/Application	Aluminium Sliding Door & Window





**IAMH-04**

Casement Door Handle

Material	Aluminium Alloy
Finish Type	Power Coated
Color	Golden/Silver/Black/White
Usage/Application	uPVC/Aluminium Casement Door

**IAMH-06**

Casement Door Handle

Material	Aluminium Alloy CNC Cut
Finish Type	Power Coated
Color	Golden/Silver/Black
Usage/Application	Aluminium Casement Door





**IASH-LP-12F**

Sliding Long Handle With Fork

Material	Aluminium Solid CNC Cut
Finish Type	Power Coated
Color	Silver/Black
Usage/Application	Sliding Door

**IASF-9F**

Sliding Concealed Handle With Fork

Material	Aluminium Alloy/Zinc Alloy
Finish Type	Power Coated
Color	Silver/Black
Usage/Application	Sliding Door



**ISHS-07L**

Metro Handle With Key

Material	Aluminium Alloy/Zinc Alloy
Finish Type	Power Coated
Color	Black
Usage/Application	Sliding Door

**ISHS-07**

Metro Handle Without Key

Material	Aluminium Alloy/Zinc Alloy
Finish Type	Power Coated
Color	Black
Usage/Application	Sliding Door





## IEHDH-01

Euro Hinge (Heavy Duty)

Material	Aluminium Alloy & SS Road
Finish Type	Power Coated
Color	Golden/Silver/Black/White
Usage/Application	Aluminium Casement Door

## IUCDH3D120

3D Hinge

Material	Aluminium Alloy
Finish Type	Power Coated
Color	Golden/Silver/Black
Usage/Application	uPVC Casement Door





### IUCHWOK40

Casement Window Handle

Material	Aluminium Alloy
Finish Type	Power Coated
Color	Golden/Silver/Black/Brown/White
Usage/Application	Casement Window

### IUSLNH-28

Sliding Handle With Low Neck

Material	Aluminium Alloy
Finish Type	Power Coated
Color	Golden/Silver/Black/Brown/White
Usage/Application	Sliding Door



## IUSDHDT25

D Handle with Cylinder



Material	Aluminium Alloy
Finish Type	Power Coated
Color	Golden/Silver/Black/Brown/White
Usage/Application	Sliding Door

## IUSDHDT25

Sliding Door D Type Handle, One Side Lever, One Side Plain

Material	Aluminium Alloy
Finish Type	Power Coated
Color	Golden/Silver/Black/Brown/White
Usage/Application	Sliding Door





**IUSDPOP25**

Popup Handle

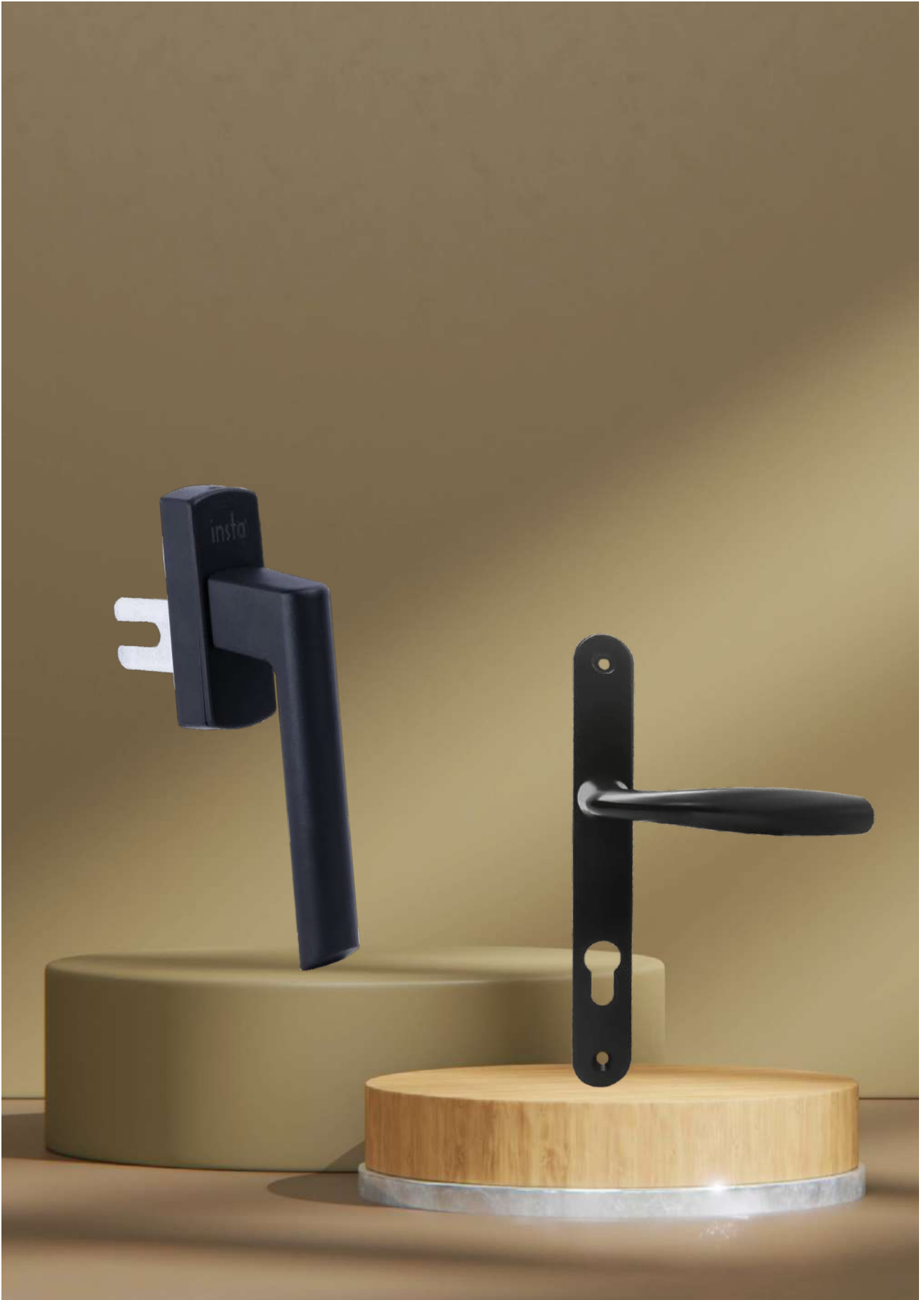
Material	Zamak Alloy
Finish Type	Power Coated
Color	Golden/Silver/Black/White/Brown
Usage/Application	uPVC Sliding Door & Window

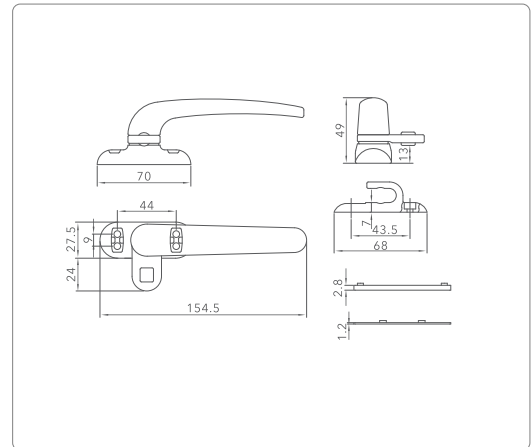
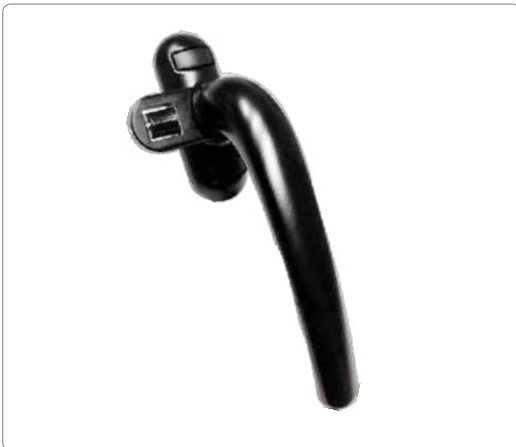
**IUSWTLL16/R16**

Touch Lock

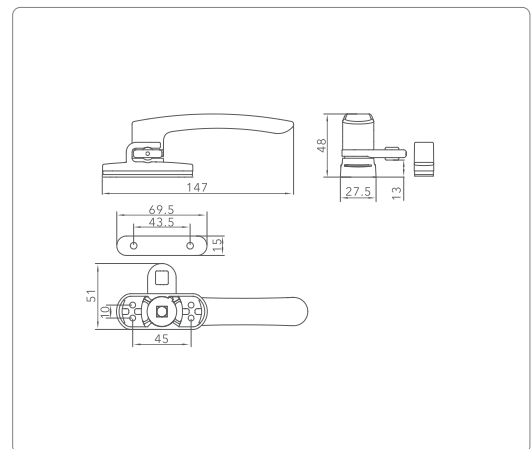
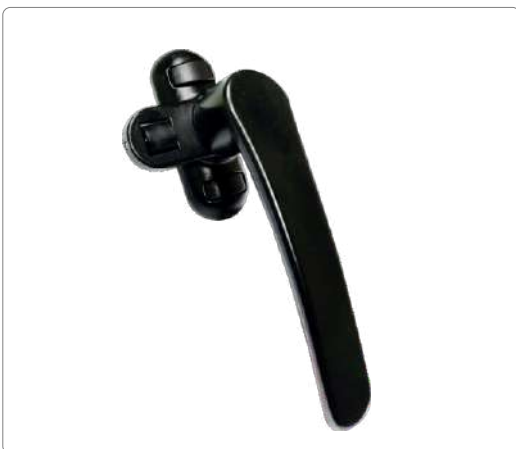
Material	Aluminium Alloy
Finish Type	Power Coated
Color	Golden/Silver/Black/White
Usage/Application	uPVC Sliding Window



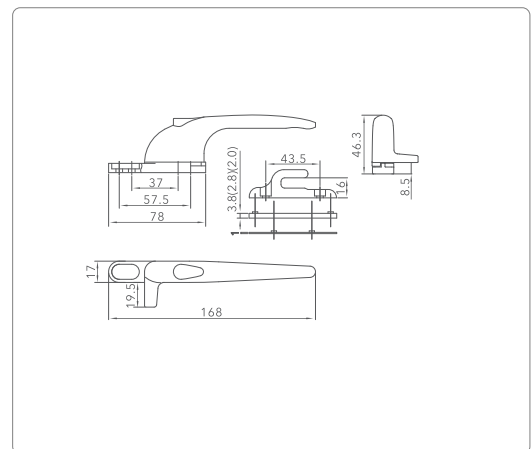




## IASPH-STANDARD

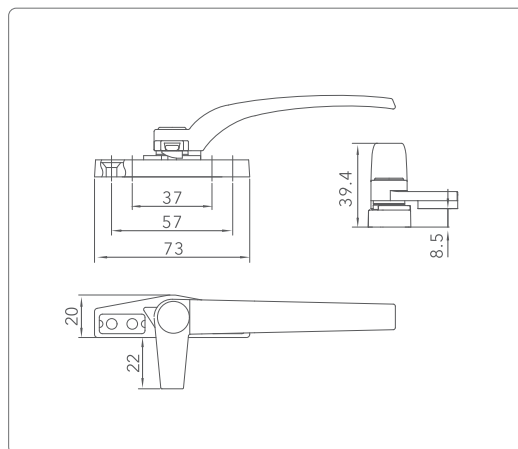


## IASPH-STANDARD-01

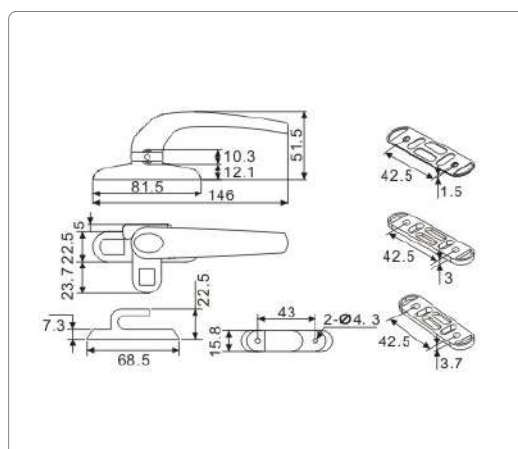


## IASPH WITH PUSH BUTTON

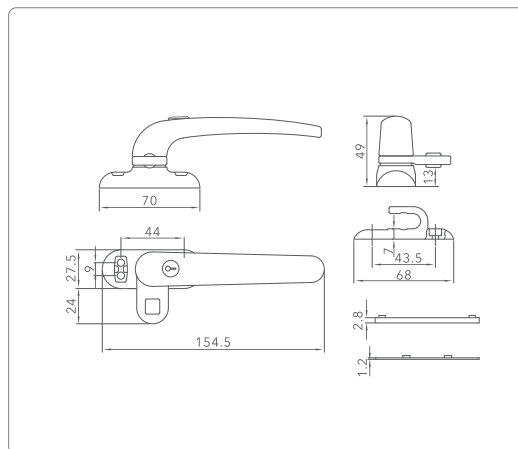
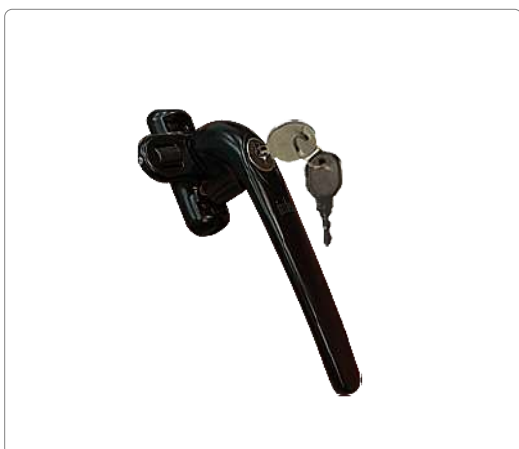
# COCKSPUR HANDLE



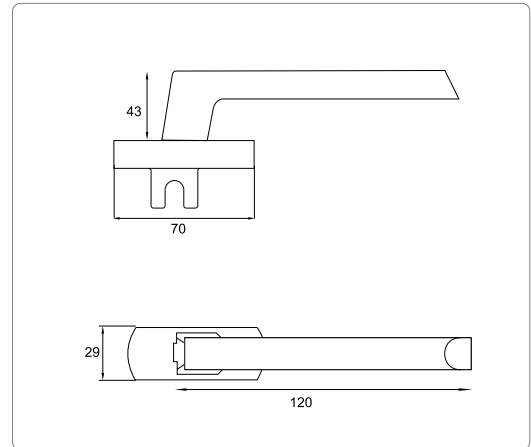
**IASPH-ECO-01**



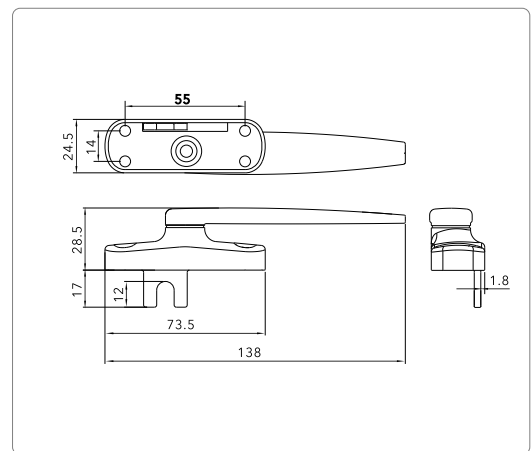
**IASPH-ARROW**



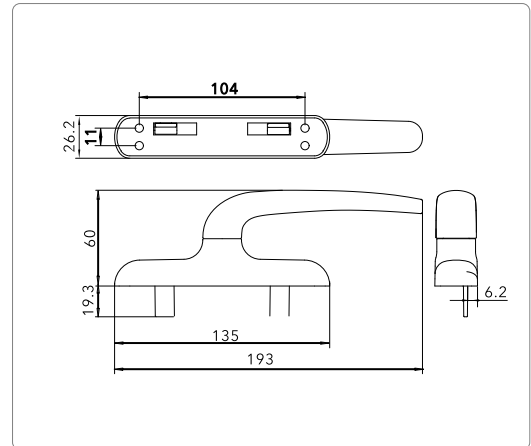
**IASPH -01 STANDARD WITH KEY**



**IAMHP-04F** : Casement Handle With Fork 30 & 50 MM

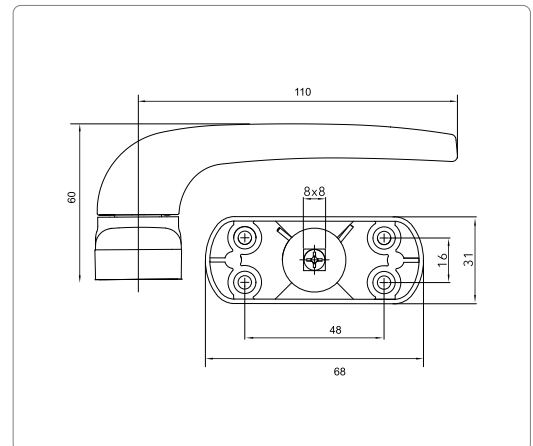


**IASF-01** : Casement Handle With Single Fork 20, & 30 MM

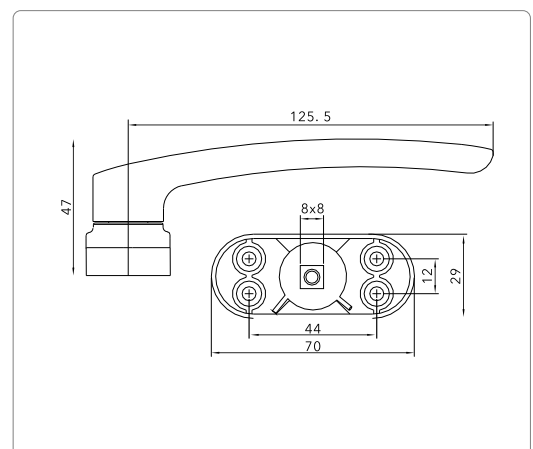


**IAMTF-01** : Casement Two Fork Handle

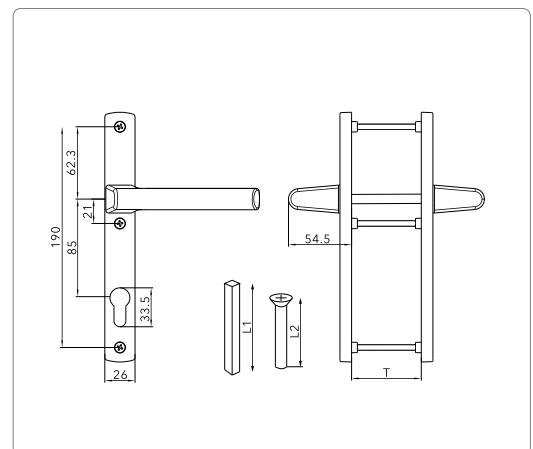




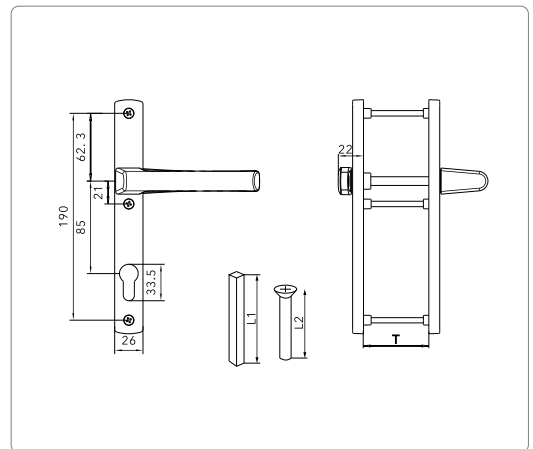
**IAMH - 02**



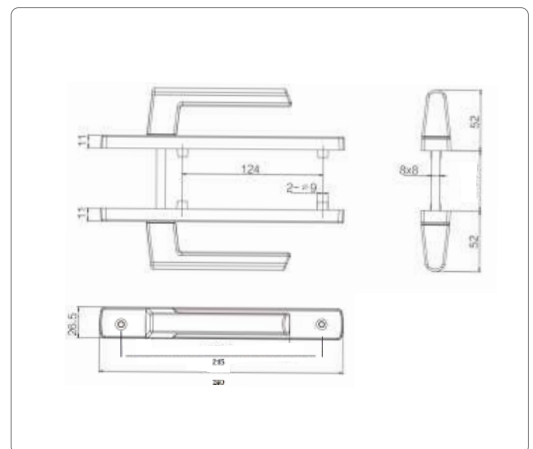
**IAMH - 03**



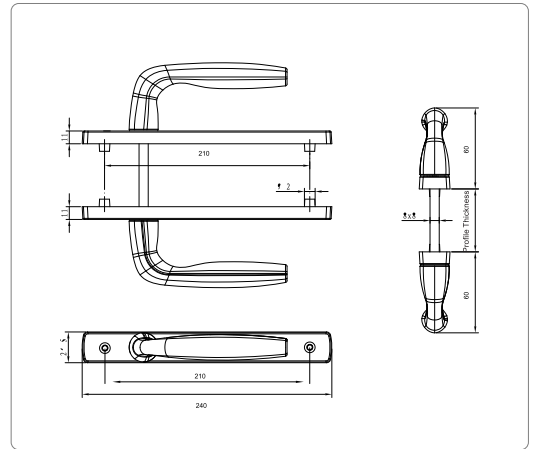
**IAMH - 04**



**IAMH - 05**

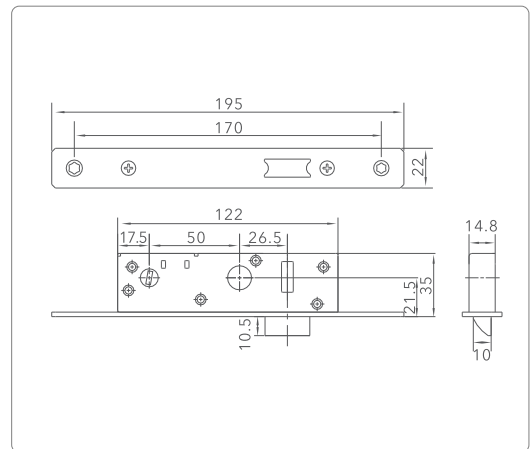


**IAMH - 06**

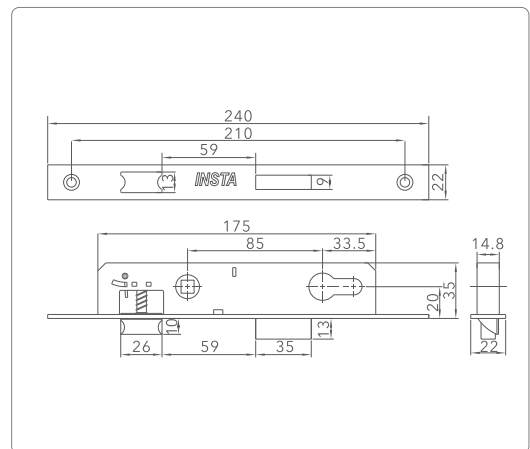


**IUCDHWK30PR**

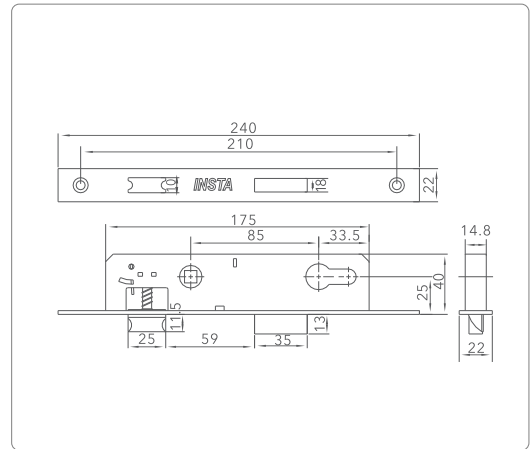




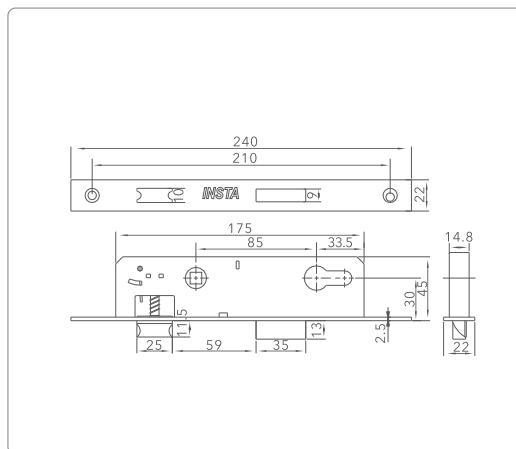
**IUCWCS35** : WC Set With Handle, Latch, Knob & Counter Plate



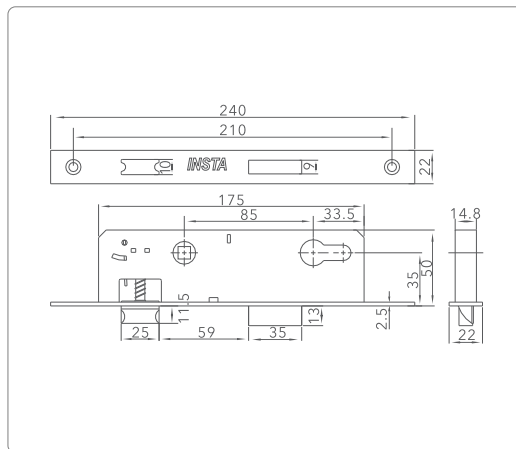
**IMLB01** : 20MM/85MM



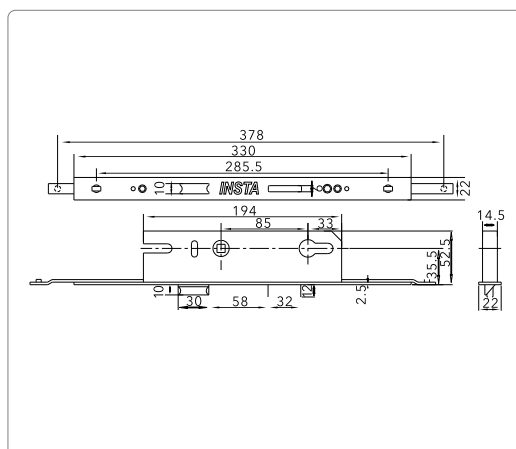
**IMLB02** : 25MM/85MM



**IMLB03 : 30MM/85MM**



**IMLB04 : 35MM/85MM**



**IMLB-01A : 25MM/35MM**



**IMLC-1** : Cylinder With Both Side Key



**IMLC-2** : Cylinder With One Side Key & One Side Knob

\* IMLC1 & IMLC2 are available in 60mm/80mm & 90mm.  
 \*80mm will be 30-50.

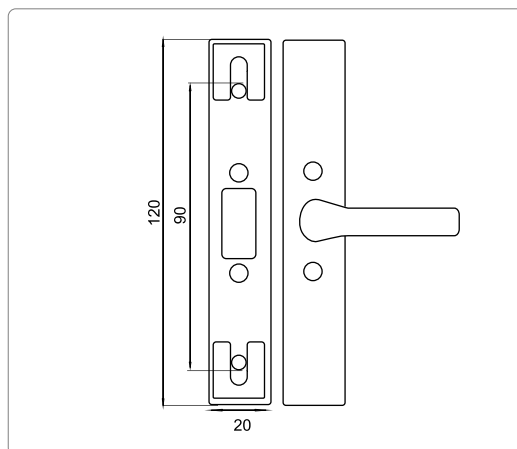
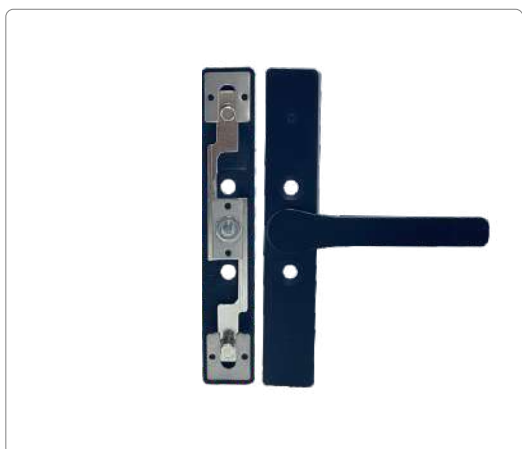


**IMLC-3** : Half Cylinder With One Side Key

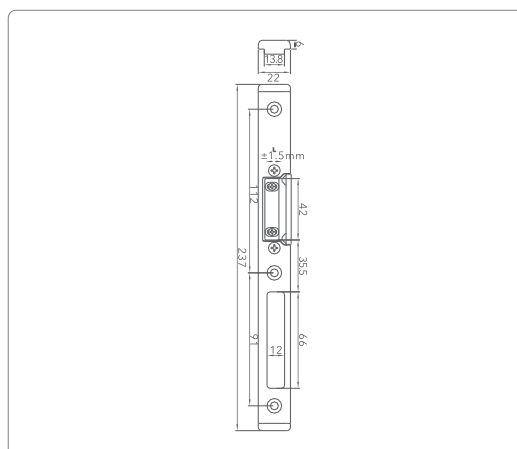


**IMLC-4** : Half Cylinder With One Side Key & One Side Knob

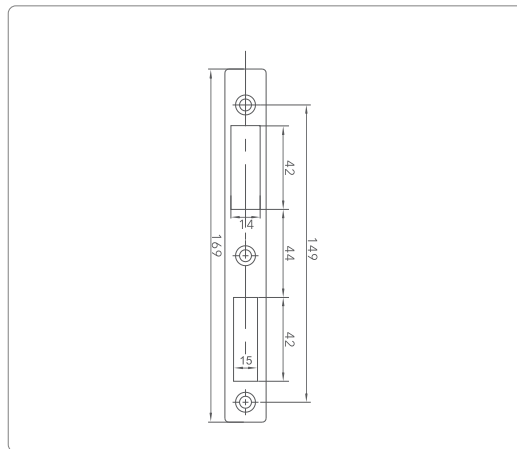
\* IMLC3 & IMLC4 are available in 30mm.



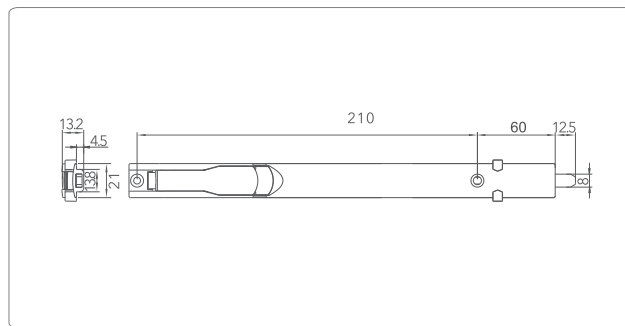
**ICFD-01** : Connector For French Door



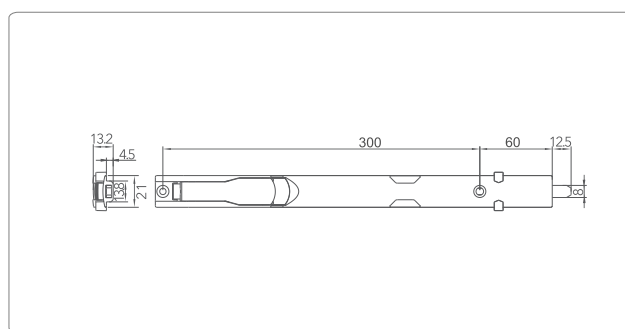
**ICLP-01L/R** : Latch Plate (Adjustable)



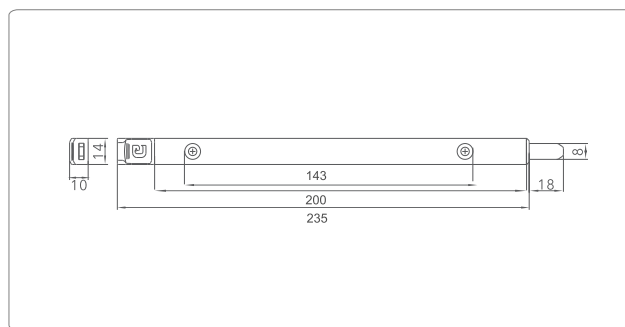
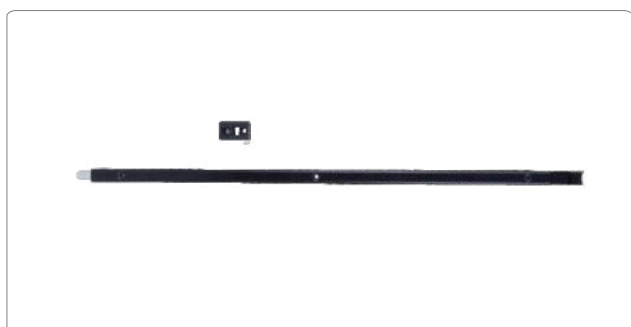
**ICLP-02** : Latch Plate



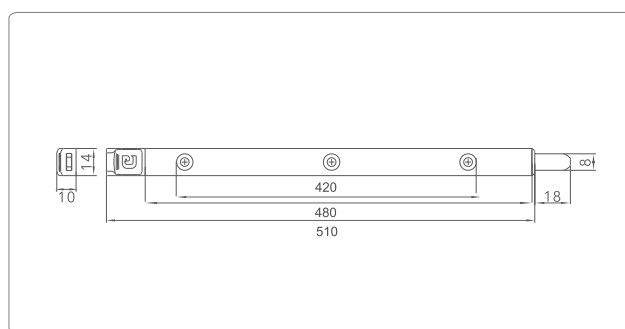
**IATB-01E** (Euro Groove)



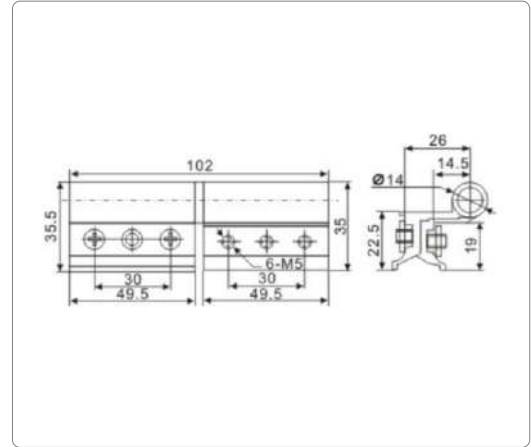
**IATB-02E** (Euro Groove)



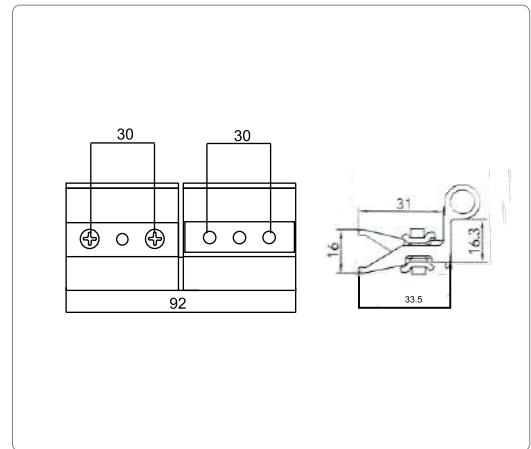
**IATB-03**



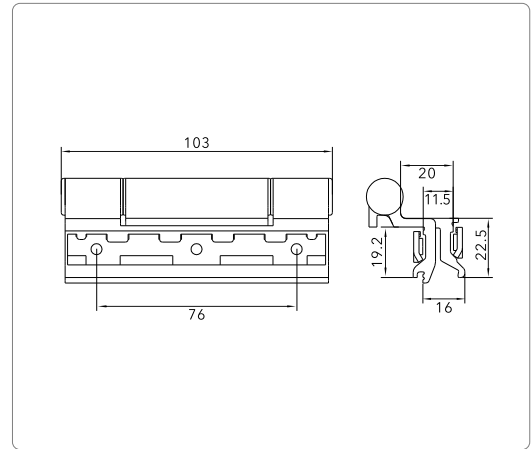
**IATB-03B**



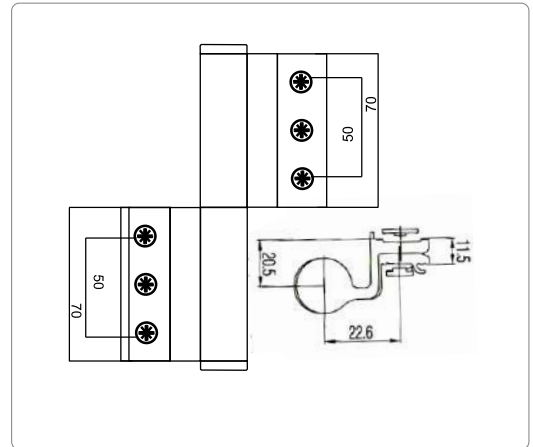
**IEBH - 01** : Euro Hinge 50mm Series



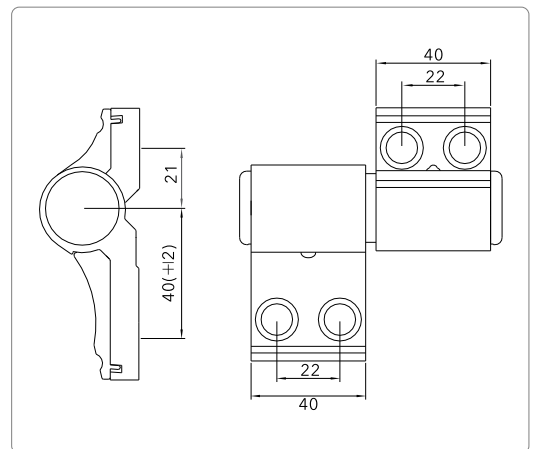
**IDBH - 02** : Domal Hinge 40mm Series



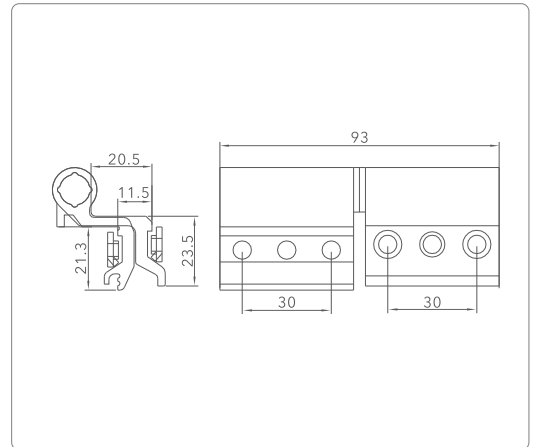
**IUHDH - 03** : Euro Door Hinge 50mm Series



**IEHDLH - 01** : Heavy Duty Euro Door Hinge 50mm Series



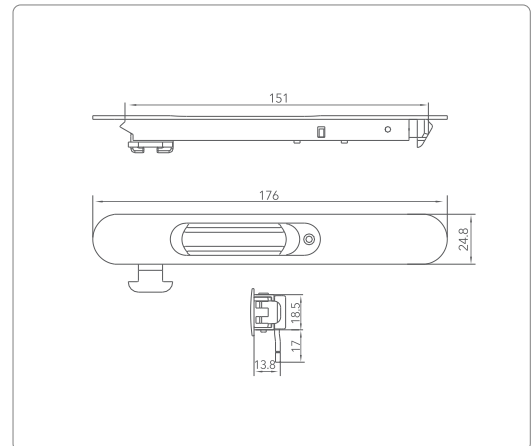
**IUHDH - 02** : Universal Hinge



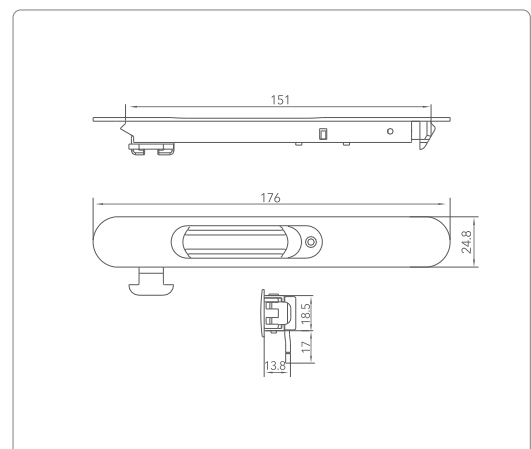
**IEBH - 03** : Euro Hinge 52 MM Series



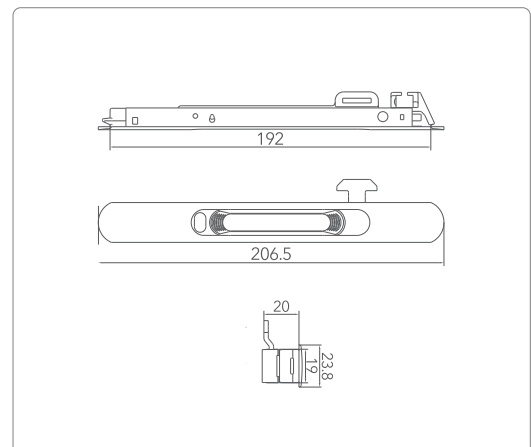




**ISHS - 02** : Sliding Window Lock

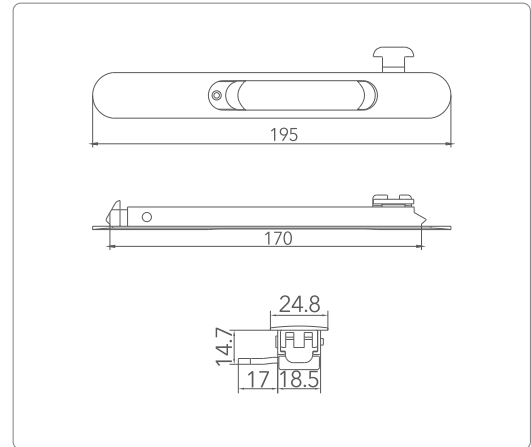


**ISHS - 02A** : Sliding Window Lock

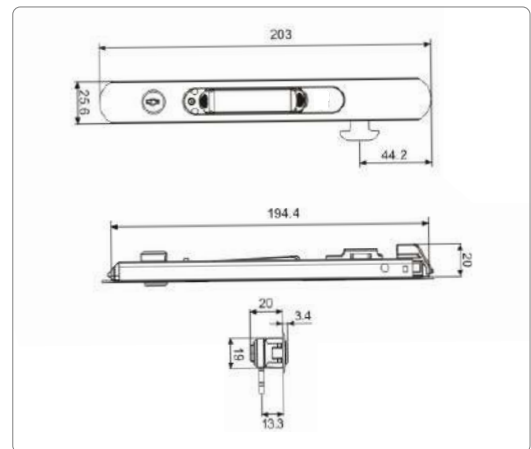


**ISHS - 03** : Sliding Door Lock

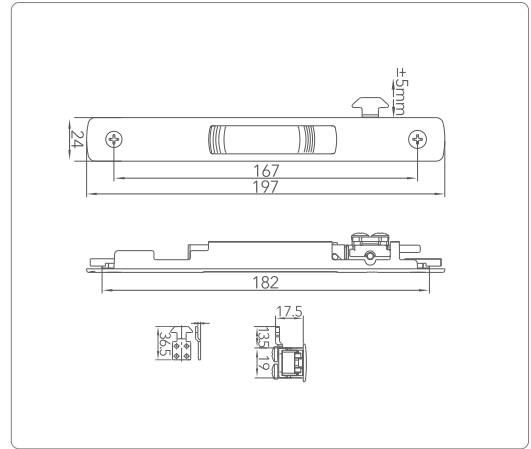
# SLIDING HANDLES



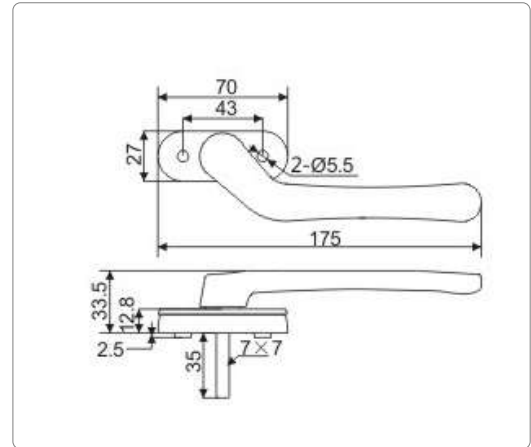
**ISHS - 03A** : Sliding Door Lock (Manual)



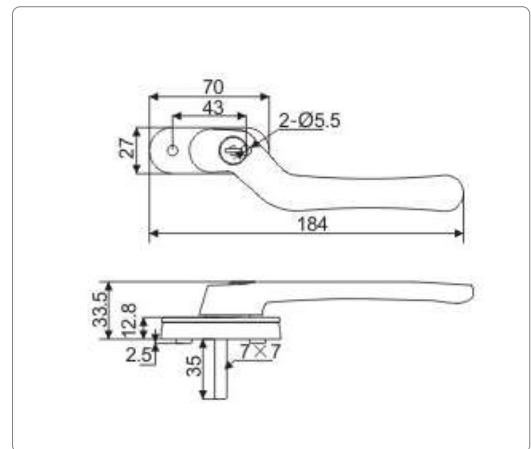
**ISHS - 03L** : Sliding Door Lock With Key



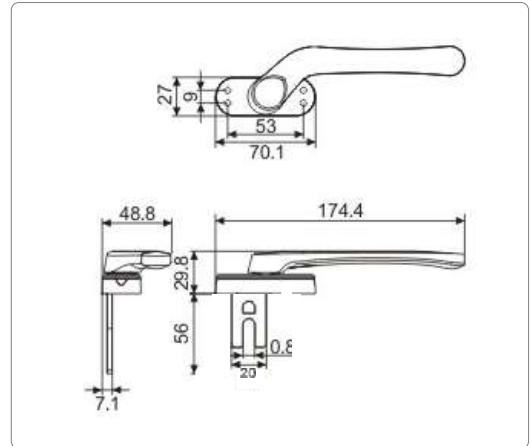
**ISHS-03S** : Sliding Door Lock (Adjustable)



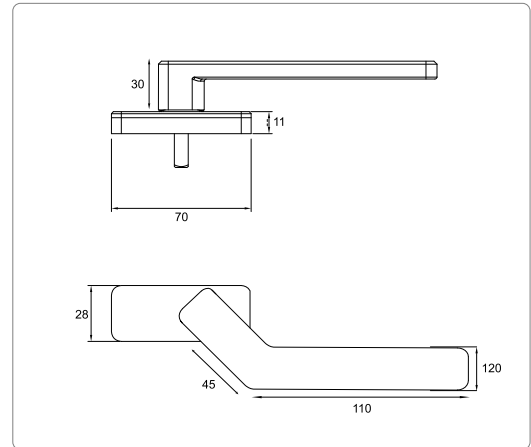
**IUSLNH28L/28R** : Sliding Short Neck Handle Without Key



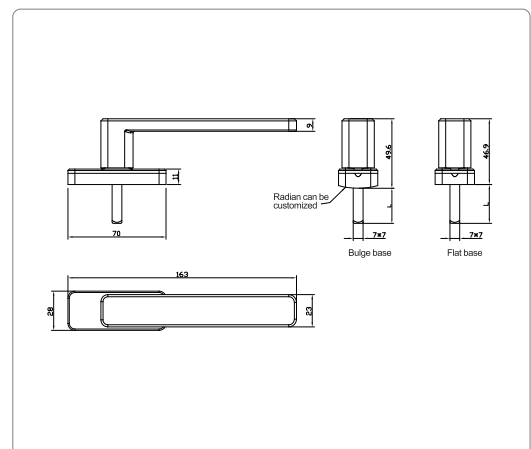
**IUSLNH28L/28R** : Sliding Short Neck Handle With Key



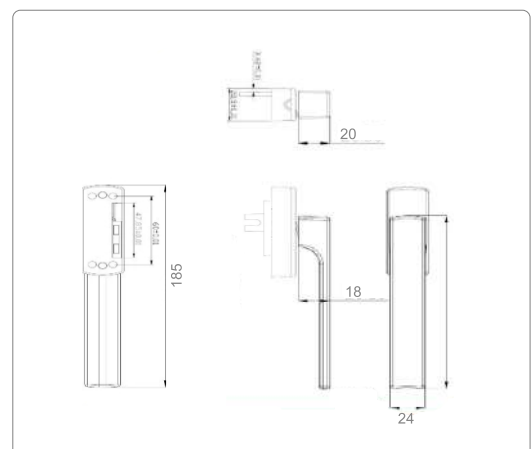
**ISHS-08L/08R** : Sliding Door Handle With Fork



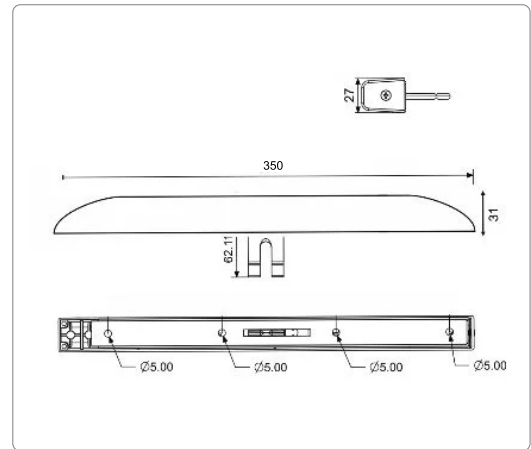
**IASF-LN-10R/10L** : Sliding Short Neck Handle With Spindle



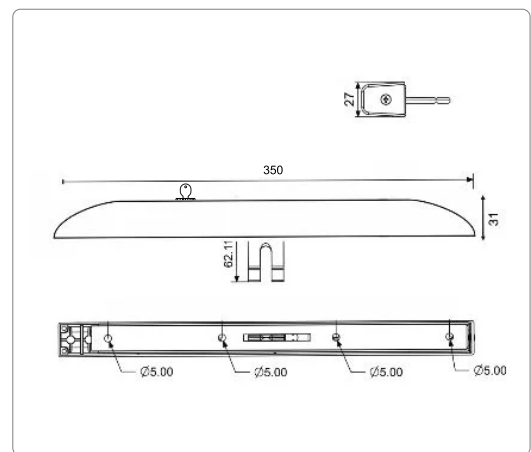
**IASH-LH-12** : Sliding Handle With Spindle



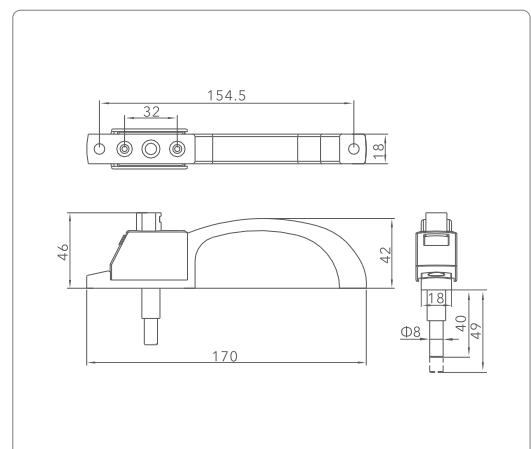
**IASH-LN-11** : Sliding Short Neck Handle With Fork



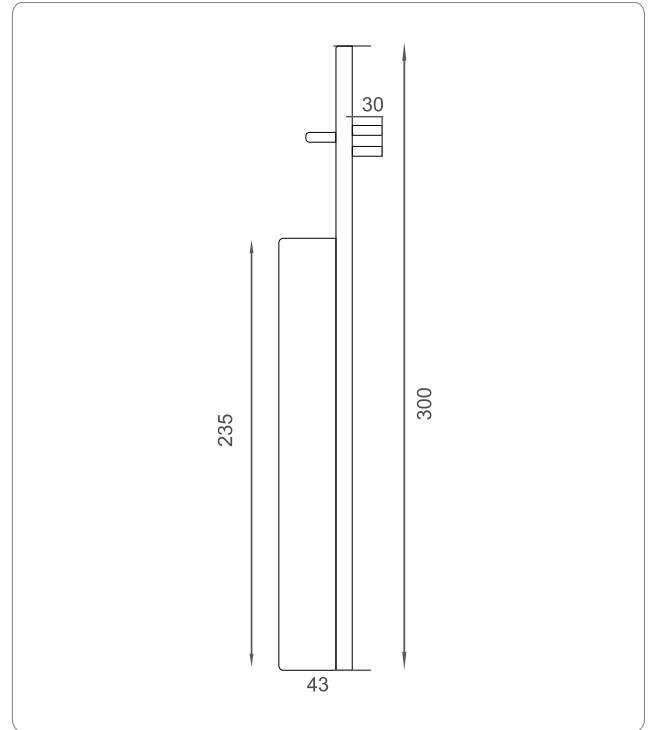
**ISHS - 07** : Metro Handle



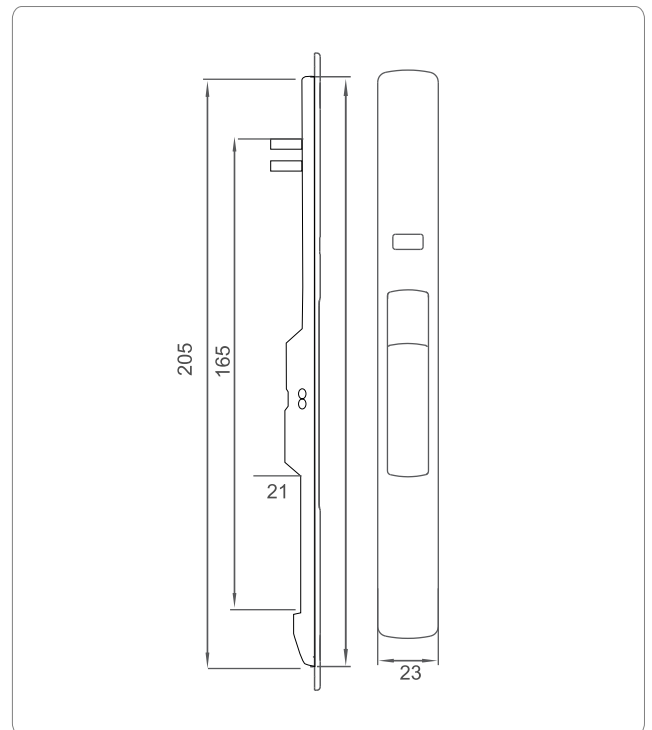
**ISHS - 07L** : Metro Handle With Key



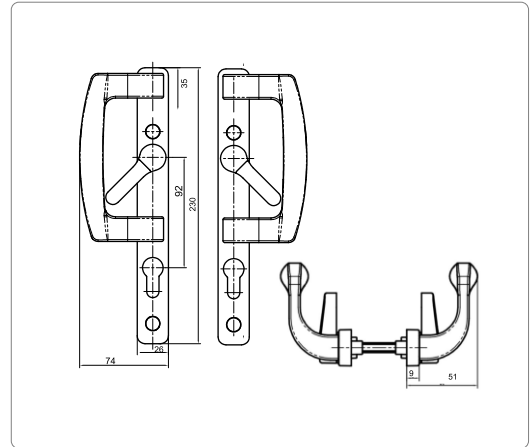
**ISHS - 05** : Sliding Central Locking Handle



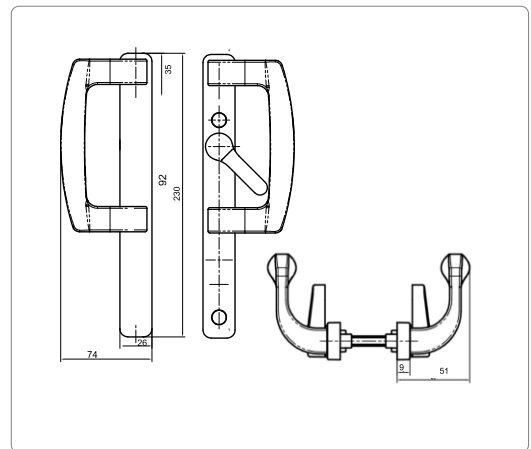
**IASH-LP-12F** : Sliding Long Handle With Fork



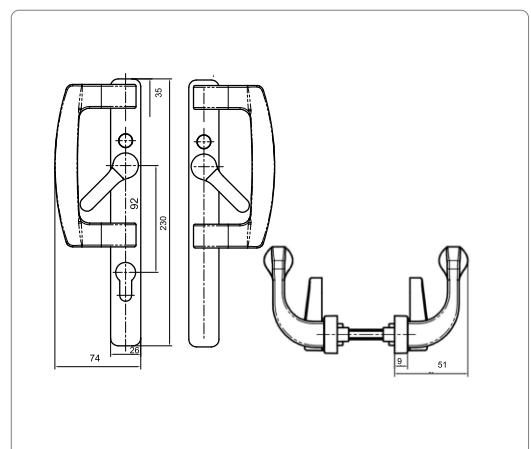
**IASF-9F** : Sliding Concealed Handle With Fork



**IUSDHDT25** : D Type Handle, Both Side Lever & Cylinder Hole

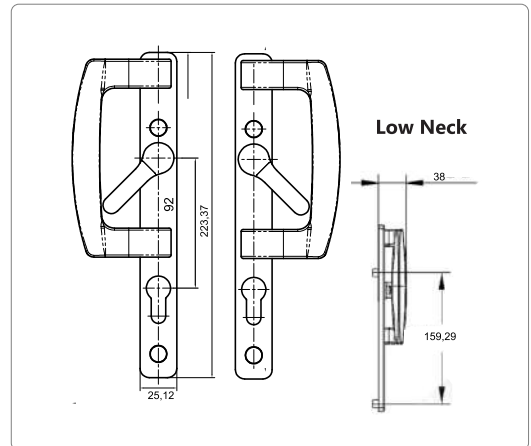


**IUSDHDT25** : D Type Handle, One Side Lever & One Side Plain

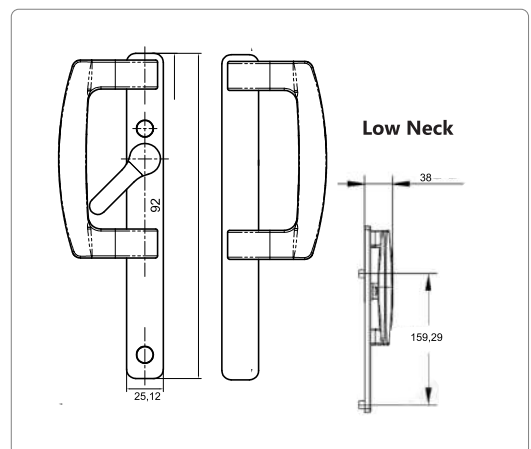


**IUSDHDT25[1C1D]**: D Type Handle, One Side Cylinder Hole & Lever & One Side Plain

# SLIDING HANDLES



**IUSDHDT25L** : Low Neck D Type Handle, Both Side Lever & Cylinder Hole



**IUSDHDT25L** : Low Neck D Type Handle, One Side Lever & One Side Plain





## IASR-01

Load Capacity 40kg  
27/29mm Sliding Series



## IASR-01A

Load Capacity 60kg  
27/29mm Sliding Series



## IASR-02

Load Capacity 60kg  
27/29mm Sliding Series



## IASR-02A

Load Capacity 100kg  
27/29mm Sliding Series



## IASR-03

Load Capacity 20kg  
27/29mm Sliding Series



## IASR-04

Load Capacity 60kg  
37mm Sliding Series



## IASR-05

Load Capacity 120kg  
27/29/32/37mm Sliding Series



## IASR-12 (U Groove)

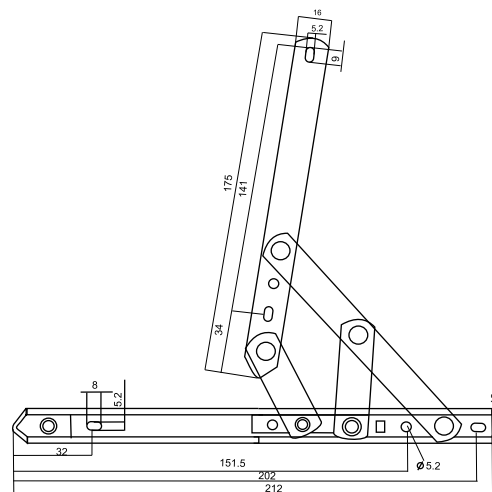
Load Capacity 150kg  
27/29/32/37mm Sliding Series



## IASR-13 (U Groove)

Load Capacity 100kg  
27/29/32/37mm Sliding Series





## Premium Series

Material - SS304

Base Width - 18MM Square Groove

No.	Item Code	Size (Inch)	Stack Height (MM)	Number of Arms	Bar Thickness	Opening Angle	Max Height (MM)	Max Width (MM)	Max Sash Weight (kg)
1	IUFSL2008	8	13	4	2mm	60° + 2°	1200	350	11
2	IUFSL2010	10	13	4	2mm	90° + 2°	1200	500	16
3	IUFSL2012	12	13	4	2mm	90° + 2°	1200	600	18
4	IUFSL2014	14	13	4	2mm	90° + 2°	1200	650	22
5	IUFSL2016	16	13	4	2mm	90° + 2°	1200	700	25
6	IUFSL2018	18	13	4	2mm	90° + 2°	1200	750	28
7	IUFSL2020	20	13	5	2mm	90° + 2°	1200	1000	32

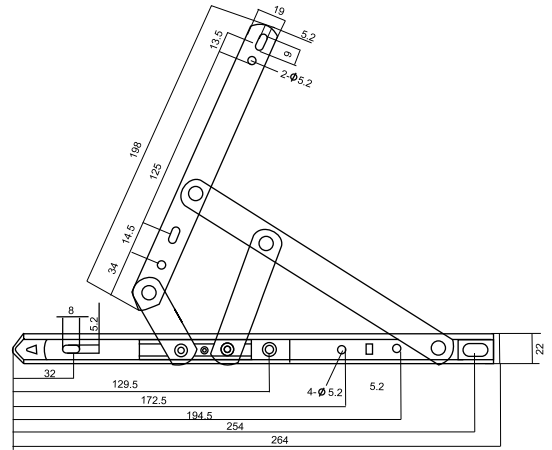
## Premium Plus Series

Material - SS304

Base Width - 18MM Square Groove

No.	Item Code	Size (Inch)	Stack Height (MM)	Number of Arms	Bar Thickness	Opening Angle	Max Height (MM)	Max Width (MM)	Max Sash Weight (kg)
1	IUFSH2508	8	16.5	4	2.5 mm	60° + 2°	1400	350	13
2	IUFSH2510	10	16.5	4	2.5 mm	90° + 2°	1400	500	16
3	IUFSH2512	12	16.5	4	2.5 mm	90° + 2°	1400	600	19
4	IUFSH2514	14	16.5	4	2.5 mm	90° + 2°	1400	650	21
5	IUFSH2516	16	16.5	4	2.5 mm	90° + 2°	1400	700	25
6	IUFSH2518	18	16.5	4	2.5 mm	90° + 2°	1400	750	28

# FRICTION STAY

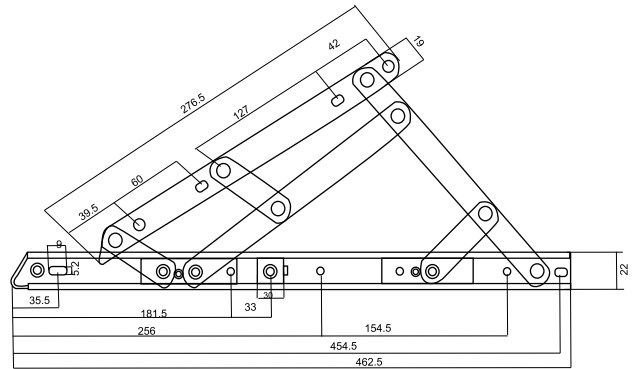
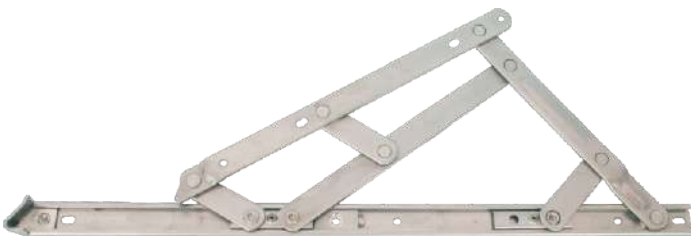


## Platinum Series

Material - SS304

Base Width - 22MM Square Groove

No.	Item Code	Size (Inch)	Stack Height (MM)	Number of Arms	Bar Thickness	Opening Angle	Max Height (MM)	Max Width (MM)	Max Sash Weight (kg)
1	IUFSH2210	10	16.5	4	2.5 mm	90° + 2°	1500	600	36
2	IUFSH2212	12	16.5	4	2.5 mm	90° + 2°	1500	650	40
3	IUFSH2214	14	16.5	4	2.5 mm	90° + 2°	1500	700	44
4	IUFSH2216	16	16.5	4	2.5 mm	90° + 2°	1500	900	50

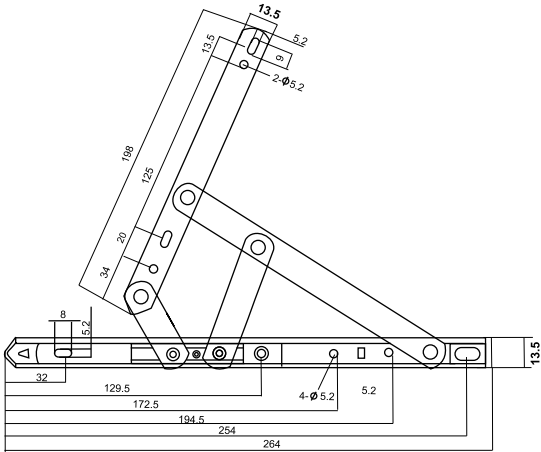


## Platinum Plus Series

Material - SS304

Base Width - 22MM Square Groove

No.	Item Code	Size (Inch)	Stack Height (MM)	Number of Arms	Bar Thickness	Opening Angle	Max. Height (MM)	Max. Width (MM)	Max. Sash Weight (kg)
1	IFHD2218	18	16.5	5	3mm	30° + 2°	1400	1500	90
2	IFHD2220	20	16.5	6	3mm	30° + 2°	1500	1500	100
3	IFHD2222	22	16.5	6	3mm	30° + 2°	1600	1500	112
4	IFHD2224	24	16.5	6	3mm	30° + 2°	1800	1800	120
5	IFHD2226	26	16.5	6	3mm	30° + 2°	1900	1900	125
6	IFHD2228	28	16.5	6	3mm	30° + 2°	2000	2000	130



**Euro Groove Friction Stay**

Material-SS304

Base Width - 13.5 Square Groove

No.	Item Code	Size (Inch)	Stack Height (MM)	Number of Arms	Bar Thickness	Opening Angle	Max Height (MM)	Max Width (MM)	Max Sash Weight (kg)
1	IFSUG1310	10	13.5	4	3 mm	90° + 2°	1200	450	18
2	IFSUG1312	12	13.5	4	3 mm	90° + 2°	1200	500	22
3	IFSUG1314	14	13.5	4	3 mm	90° + 2°	1200	500	26
4	IFSUG1316	16	13.5	4	3 mm	90° + 2°	1200	600	30

**Parallel Friction Stay**



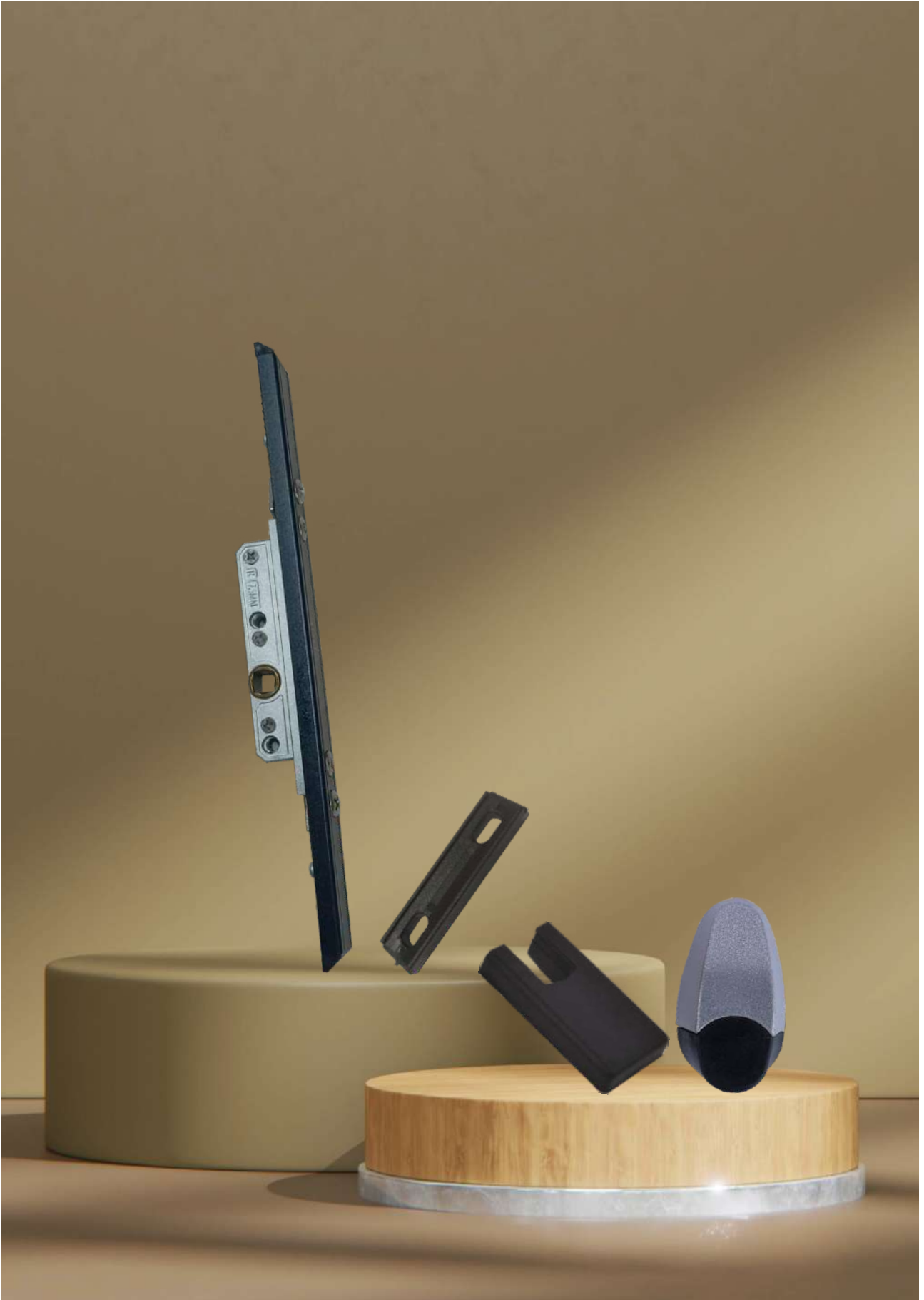
**IFSP-18"** :Single X Parallel Stay  
**IFSP-22"**: Double X Parallel Stay

**Wind Break Arm**



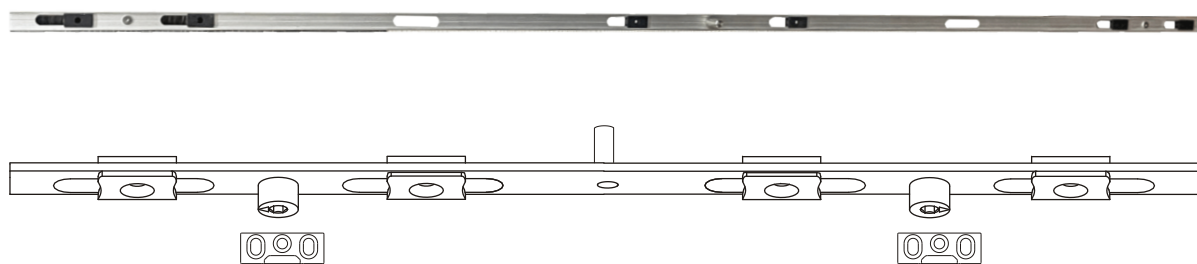
**IUWBA1810S**  
**IUWBA1812S**  
**IUWBA1810P**  
**IUWBA1812P**

Material-SS 202, SS 304  
 Base Width-18mm Square Groove



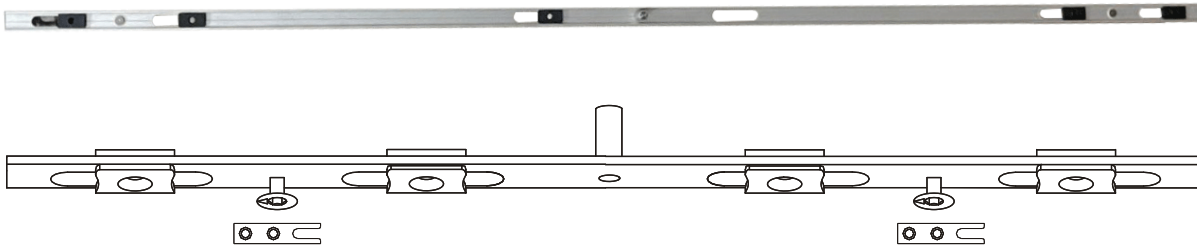
### Casement Non Euro Groove Espag

Size Available : 800mm, 1000mm, 1200mm



### Sliding Non Euro Groove Espag

Size Available : 800mm, 1000mm, 1200mm





**IAGB75**  
Sliding Gear Box  
7.5mm Axis



**IAGB15**  
Sliding Gear Box  
15mm Axis



**IAGB25**  
Casement Gear Box  
25mm Axis



**IAGB30**  
Casement Gear Box  
30mm Axis





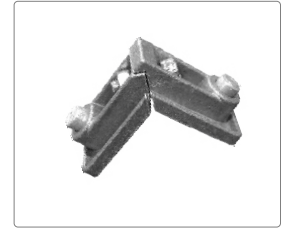
**IACC-01**  
27/29 mm  
Sliding Series



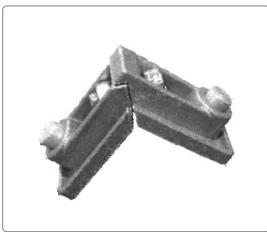
**IACC-02**  
35 mm  
Sliding Series



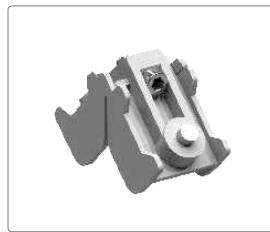
**IACC-03**  
Sliding Corner Cleat  
(37 mm Sliding Series)



**IACC-04**  
40 mm  
Casement Series



**IACC-05**  
50 mm  
Window Frame



**IACC-06**  
50 mm Window Sash  
Casement Window  
Corner Cleat



**IACC-07**  
29 mm  
Slim Line Corner Cleat



**IACC-08**  
29 mm  
Slim Line Corner Cleat



**IACC-09**  
40 mm  
Mullion Connector



**IACC-10**  
50 mm  
Mullion Connector



**IACC-11**  
50 mm  
Hollow Cleat Adapter

# ACCESSORIES



Inter Lock Cap



Anti Lift Rafting Guide



Top U Guide



Lock Guide Stopper



Lock Guide



Dust Pad



Drain Slot Cover



Screw Hole Cap



Espag Holder



Anti Lift With Lock Guide Stopper



Shutter Wing Connector



Shutter Wing Connector



Bump Stopper



Bump Stopper (Metallic)



Polymide Strip



Striker Packer



Rod Connecting Device



T-Connector



Center Connector



Fork Handle Connector



T-Nib



J-Nib



Nib Holder One Way



Nib Holder



Frame Striker (Slimline)



Frame Striker



One Way Connector Locking Device



Two Way Connector Locking Device



Multi locking Device



Gear Striker



Gear Striker-01



Pawl



Top & Bottom Locking Point



Connect Block




Sliding Striker



Fork Extension


**insta**<sup>®</sup>  
for a smoother life

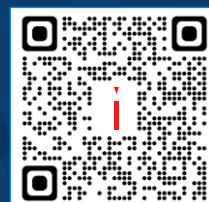
## **Glorious Products India Pvt. Ltd.**

 +91-11-40743510/11

 info@instahardwares.com

 www.instahardware.com

 910, 9th Floor, Netaji Subash Place,  
Pitampura, Delhi-110034



Scan For More